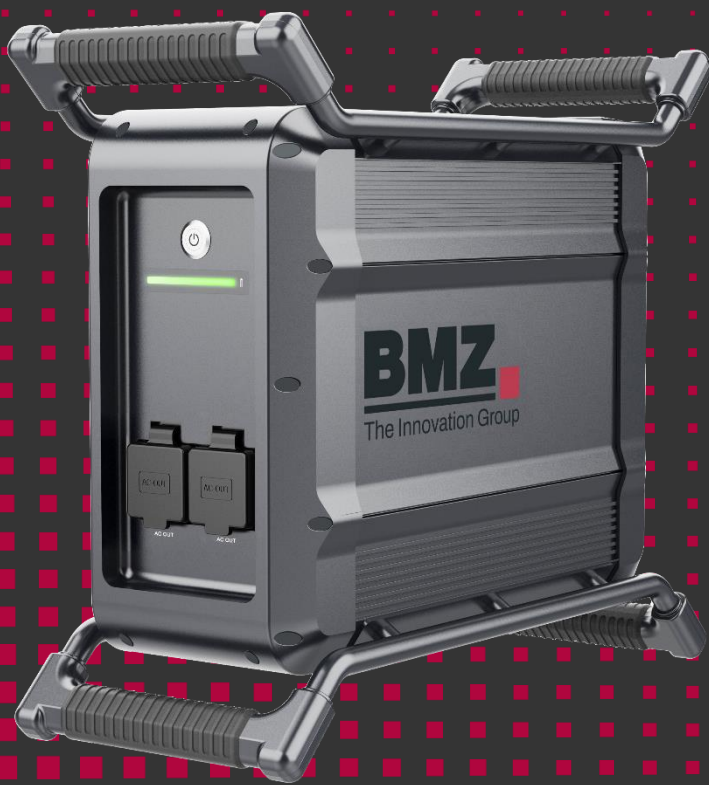


## POWER2GO WORK

## PORTABLE ENERGY STORAGE POWER SUPPLY USER MANUAL V1.0







## TABLE OF CONTENTS

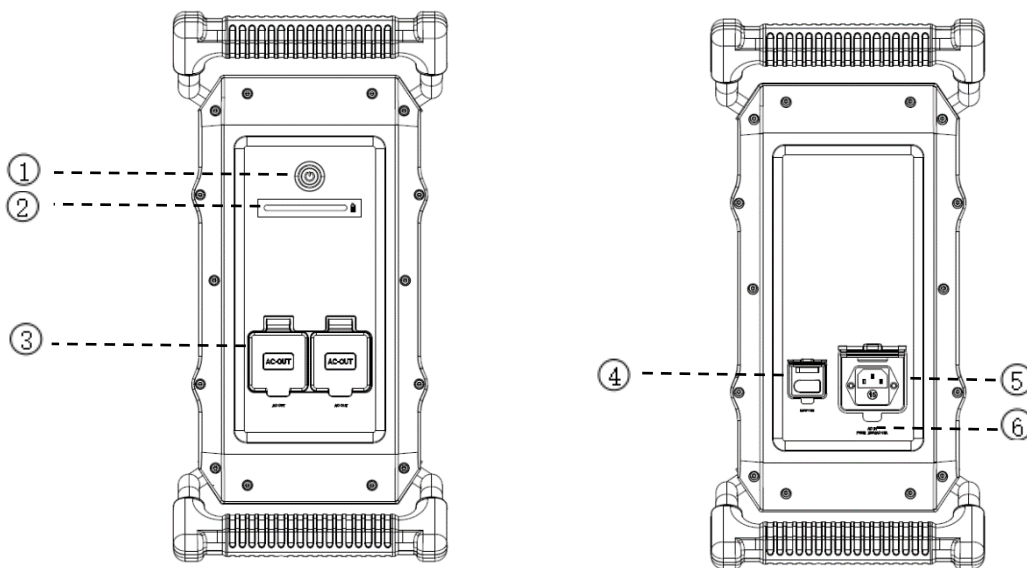
<b>1. PRODUCT DESCRIPTION</b> .....	2
<b>2. ABBREVIATIONS</b> .....	2
<b>3. TECHNICAL DATA</b> .....	2
3.1 Basic parameters.....	3
3.2 Working Condition: Discharging.....	3
3.3 Working Condition: Charging .....	3
3.4 Connector .....	3
<b>4. PACKAGE CONTENT</b> .....	3
<b>5. PRELIMINARY COMMISSIONING</b> .....	4
<b>6. SAFETY DIRECTIVES</b> .....	5
GENERAL .....	5
MAINTENANCE AND STORAGE.....	6
<b>7. Operational Instructions</b> .....	8
7.1 AC Charge .....	8
7.2 PV Charge .....	8
7.3 AC Output.....	8
7.4 Warning .....	9
<b>8. TROUBLESHOOTING</b> .....	10
<b>9. HANDLE POWER2GO SAFELY</b> .....	10
<b>10. FAQs</b> .....	11
<b>11. CONTACT</b> .....	12

## 1. PRODUCT DESCRIPTION

POWER2GO is an off-grid portable energy storage power generation system with a built-in long-cycle lithium-ion battery pack and a high-strength aluminum alloy body.

POWER2GO is available in two power supply options, either via the matching charging cable or via the MPPT adapter (optional accessories). AC 230V output to power any electrical equipment up to 2500W in total.

POWER2GO can be used to supply power any electronic device such as power tools, outdoor activities, self-driving trips, home backup power, lighting, etc.



NO	INSTRUCTIONS
①	POWER SWITCH
②	SOC INDICATOR
③	AC OUTPUT PORT
④	PV CHARGING PORT
⑤	AC CHARGING PORT
⑥	BREAKER FUSE

## 2. ABBREVIATIONS

- M P P T : Maximum Power Point Tracking
- S O C : State Of Charge
- U P S : Uninterrupted Power Supply
- A C : Alternating Current
- D C : Direct Current
- P V : Photovoltaic
- D O D : Depth Of Discharge

## 3. TECHNICAL DATA

### 3.1 Basic parameters

Capacity	2500 Wh
Weight	≈25kg
Dimension	531 x 233 x 467 mm including handle
IP Class	IP65 – All covers are closed
Noise	<30dB
Certification	UN38.3, CE
Storage	>3 months, around 50% SOC

### 3.2 Working Condition: Discharging

AC rated output voltage	230V AC/ 50Hz
AC power rating	2500W
Overload power 1	3600W, 30S lock
Allowable Operating Temperature	-10°C to 60°C

### 3.3 Working Condition: Charging

AC input voltage	100V-250V,50Hz/60Hz
AC input power	1000W
AC charging time	<4h to 100%
Solar input	500W Max, Mate with adapters
Allowable charging temperature	0°C~45°C

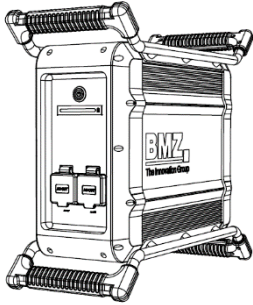
### 3.4 Connector

AC Output	Will follow distribution standards (2x)
AC Charging	C14 connector
PV Charging	Amass XT90
Input Fuse	T15A L 250V

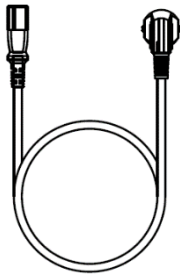
## 4. PACKAGE CONTENT

Check the completeness of the goods after receipt and must contain the following parts:

- POWER2GO WORK



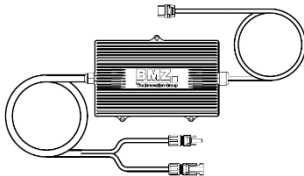
- AC Charging cable



- POWER2GO \_WORK User Manual



- MPPT Adapter



- MPPT Adapter User Manual



Note:

The MPPT adapter is an optional accessory.

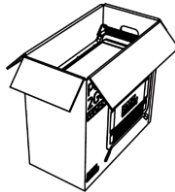
## 5. PRELIMINARY COMMISSIONING

Before using POWER2GO for the first time, please do the following:

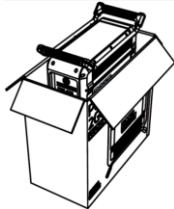
- Inspect the package for external damage



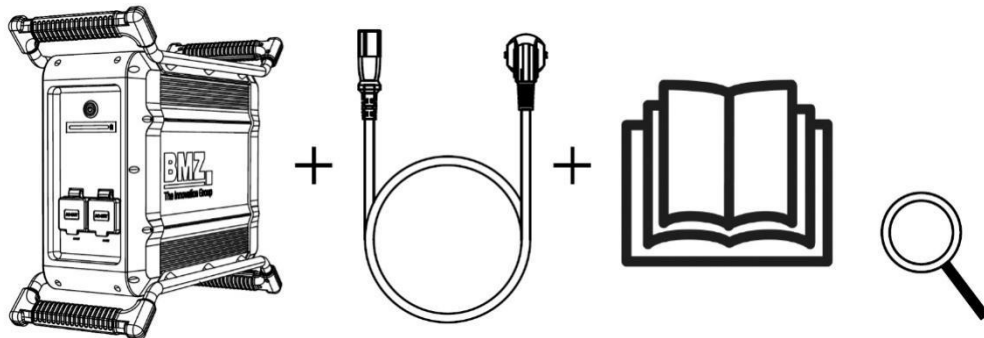
- Open the top of the package



- Take out the POWER2GO along with the pads



- Check if it is complete or damaged



- Connect the POWER2GO to the mains with the charging cable, the LED will automatically light up. Refer to item 7.1 for the details.

## 6. SAFETY DIRECTIVES

### GENERAL



**Keep an eye out for these instructions!**

The focus of BMZ product development is on safety and reliability. Please read this manual for important safety information about your device. This manual is designed to help you be more comfortable and efficient when using this device. Failure to properly set up, use, and care for your device in accordance with these guidelines may result in damage to the device and cause injury to yourself or others.

- Always operate or store the appliance according to the stated temperature range.
- Do not expose the unit to fire, liquids, dirt, or other contaminants, as this may result in fire or electric shock.
- Do not place the unit on unstable or inclined surfaces.
- Please make sure that the place where you are using the unit is well ventilated and spacious.
- Please keep POWER2GO away from children or pets.
- Do not ignore the warning signs on parts or products.
- Do not disassemble, cut, crush, puncture, or damage the unit in any way.
- Do not insert foreign objects into the charging port, discharge port, or any other port.
- Please use an approved charging cable and MPPT accessories.
- In the event of a malfunction, please shutdown POWER2GO immediately.
- In the event of a fire, a dry chemical fire extinguisher should be used.
- No one other than qualified personnel shall attempt to modify or replace the internal parts of this machine. If necessary, take it to an authorized service center, as incorrect reassembly may result in a risk of fire or electric shock.

## MAINTENANCE AND STORAGE

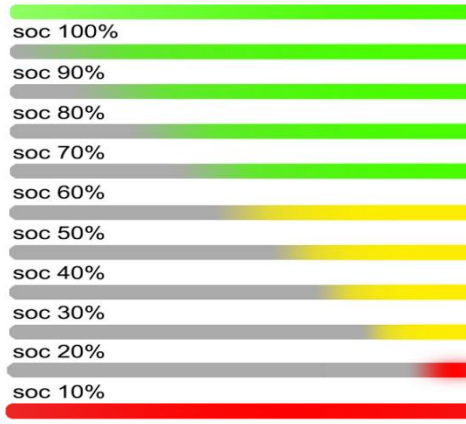
**Keep an eye out for these instructions!**

- When the POWER2GO is not in use for more than three months, charge it to 40%-60% SOC to keep it in top condition.
- Before storing the device, turn off the power and remove all electrical connections from the device.
- Store POWER2GO in a cool, dry place with an ideal temperature range of 20°C-30°C.
- For safety, do not store below -10°C or above 45°C for long periods of time.
- If the battery is less than 10% after use, please charge to 80% before storing. If it is idle for a long time in the case of severe power shortage, it will cause irreversible damage to the battery cell and shorten the service life of the product.
- It is recommended to cycle every 6 months to maintain the health of the battery.
- If the SOC drops to 0 (while running or starting), take the following steps to safely charge and start the device:
  - 1) Shut down immediately.
  - 2) Charge within 24 hours.
  - 3) Rest for at least an hour before charging it.

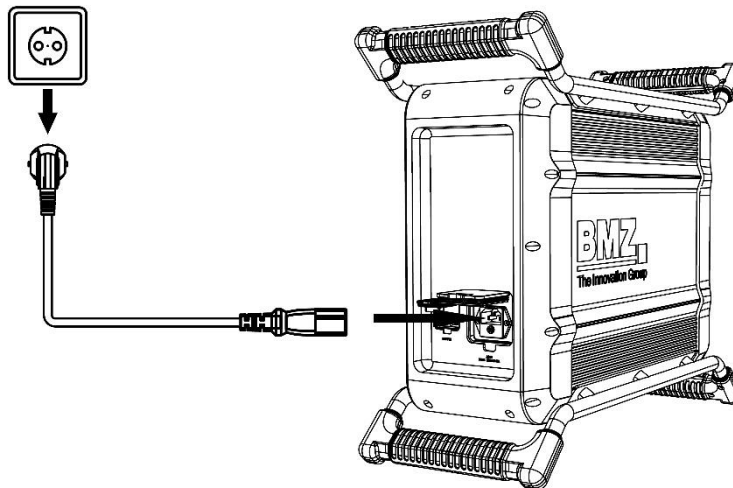
## 7. Operational Instructions

### 7.1 AC Charge

In the state of power ON or OFF, you can charge the POWER2GO AC, directly plug in the AC charging cable, the internal circuit starts charging in about 3 seconds of self-test, and LED will automatically light up to display the charging status through light bar ratings.



Protection



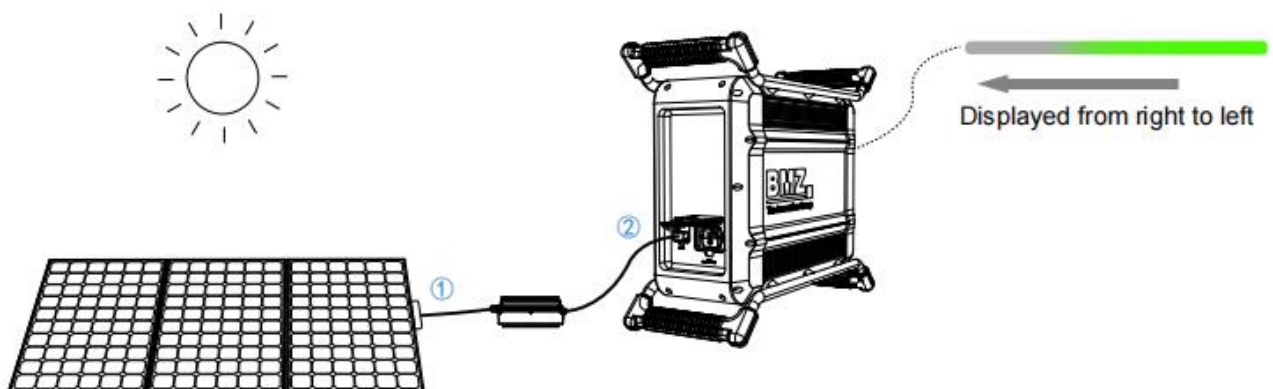
Note:

- Insert the charging socket to POWER2GO charging port first before plugging it to the mains.
- When the SOC shows 100%, the actual charging process is over. It is advisable to extend the charging time during your first charging process. This allows the device to do self-calibration.
- AC charging power is gradually increasing every minute and will stabilize when maximum charging power is reach.

## 7.2 PV Charge

POWER2GO has a PV charging function, it should be noted that it must be used with the BMZ matching MPPT adapter.

In the state of power ON or OFF, you can charge the POWER2GO PV, directly plug-in the DC charging cable (XT90), the circuit will start charging in about 3 seconds to lay self-testing. The LED indicator will automatically light up to show running light in right to left direction which serves as a reference for charging.



Note:

- PV charging energy depends on sunlight, it is recommended to use PV charging when the sunlight is sufficient.
- The maximum power of PV charging is 500W, and the actual power may be lower than the maximum power due to the angle of sunlight refraction. Note that power mentioned depends on the solar panel that you will avail. Initially we offer 200W and 400W accordingly.
- Please make sure your solar panel complies with: Open Circuit Voltage: 15Vdc ~ 60Vdc  
Input Power: 500W Max

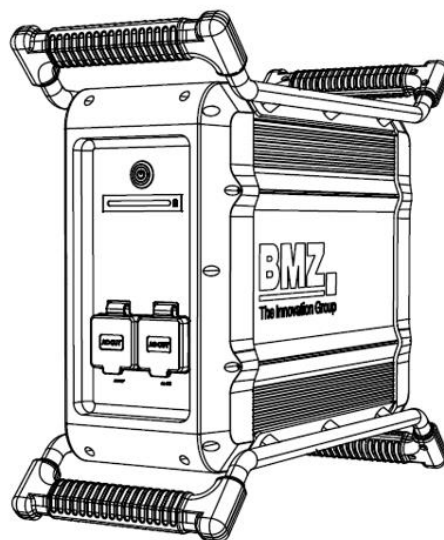
## 7.3 AC Output

POWER2GO \_WORK has 2 AC output ports, with a maximum total AC output power of 2500W and a peak power of 4400W.

When using AC output to power your device, press and hold the switch for about 1 second, the LED indicator bar will light up, at this point of time, the product can power any device with load rating within 2500W and lower.

Note:

- The discharge time of POWER2GO is affected by many factors such as ambient temperature, discharge rate, battery capacity, load characteristics, etc.
- When the LED bar indicator turns into red, (light usually on the right-side portion), this means that the POWER2GO battery level is 10% or less. During this time, if high power rating device will be used, the system may activate the protection. You are advised to charge the POWER2GO in time.
- During operation, the internal and external temperatures of the POWER2GO are continuously monitored, and the power will be limited to 2000W when the surface temperature reaches 50°C, and the output will be cut off when the surface temperature reaches 60°C. At 25°C and 8.7A, the POWER2GO can be fully discharged (100%→5%) without triggering a shutdown.
- For continuous maximum load operation, devices which operates under the constant power of 2500W can be operated by POWER2GO around more than 35 minutes as protection will cut the operation when surface temperature reaches 60°C.



Light diminishes from left to right as capacity discharges.

#### 7.4 Warning

- Please do not put your fingers or any metal conductor inside the AC socket to avoid electric shock.

- Before connecting the AC power supply device, make sure that the voltage and power of the device are consistent with the output voltage and frequency of the POWER2GO.
- It is forbidden to connect the AC output of the POWER2GO with its own AC input, otherwise the POWER2GO will be damaged.
- Without any AC and DC output for 30 minutes, the POWER2GO will automatically turn OFF and enter a low-power mode. During this event, you need to press again the main switch to bring the POWER2GO to active mode again.
- POWER2GO supports simultaneous charging and discharging, i.e. UPS function. When input and output power is in max load the charging power will automatically be decreased so total bypass power will not be that big to trigger the product and home fuse breaker.
- When the main power switch is turned OFF, the AC, DC, and LEDs are turned off at the same time.

## 8. TROUBLESHOOTING

LED		Possible Causes	Solution
State	Operating Conditions		
LED red display	Charge	An issue was detected. (Overvoltage Protection)	Remove all charging and discharging connections and restore after restarting the device
LED red display	Charge	An issue was detected. (Charging over-temperature protection)	Automatic recovery when the battery cools down
LED red display	Discharge	An issue was detected. (Overload Protection)	Remove the overpowered device and restart the POWER2GO to recover. (Use devices that are within the rating range of the POWER2GO)
LED red display	Discharge	An issue was detected. (SOC low)	Charge POWER2GO or reduce the load power
LED red display	Discharge	An issue was detected. (Low Voltage Protection)	Charge P2GO

## 9. HANDLE POWER2GO SAFELY

9.1 POWER2GO cannot be opened under any circumstances, and repairs can only be carried out by professionally trained personnel.

- 9.2 POWER2GO 's control elements, plugs and sockets, etc., must not be modified, and replacement should only be carried out by authorized personnel.
- 9.3 It is forbidden to touch the electrical contacts of POWER2GO with your fingers, tools, or other objects.
- 9.4 POWER2GO cannot be used as an alternative for work benches.
- 9.5 The shell of the POWER2GO cannot be immersed in water or mud.
- 9.6 If the battery catches fire, sand is best used to extinguish the fire. If possible, dump the POWER2GO completely into any water container. The fire brigade respondent must be notified and informed that the product has lithium-ion battery on it.
- 9.7 If the POWER2GO is damaged or not properly used, steam may escape. The steam can irritate the respiratory tract, in which case fresh air must be supplied, please go to well-ventilated area. If you have any adverse reactions, seek medical attention immediately.
- 9.8 POWER2GO must not be stored at temperatures higher than 60°C and must be kept away from heat sources (e.g. heaters, heaters, fire).
- 9.9 POWER2GO must not be stored or used in places where there is a risk of explosion and must not be moved using cranes or other lifting equipment to avoid unwanted incidents.
- 9.10 To prevent injury from tipping over or falling of the POWER2GO, the stable positioning of the POWER2GO must be ensured in the case of a connected load, and the load connected to the POWER2GO must be ensured to have sufficient cable length.
- 9.11 The POWER2GO can only be charged using the included charging cable. Alternatively, cables of the same design can be used, and if you have any doubts in this regard, consult an electrical specialist or BMZ. It is forbidden to use the power cord when it is defective or the insulation is damaged, and protect the power cord from being crushed, knotted, or damaged by other reasons. Special attention is paid to the fact that the power plug and charging cable for the POWER2GO can be sourced directly from BMZ.
- 9.12 Before turning on POWER2GO, you must make sure that the connected load is turned off.
- 9.13 POWER2GO must not be used to operate life-sustaining medical device type loads.
- 9.14 POWER2GO cannot be jet cleaned directly with water, especially pressure washers are not allowed.
- 9.15 POWER2GO must avoid contact with chemicals, fuels, and lubricants.
- 9.16 The operation of POWER2GO should always be monitored by experienced users, especially minors or people with disabilities are not recommended to use POWER2GO.

## 10. FAQs

- Q1: How long does it take to fully charge?  
A: A full charge takes around less than 4 hours.
- Q2: Why can't POWER2GO be fully charged?  
A: Perform calibration process by fully charging and discharging the device.
- Q3: Why does POWER2GO shut down automatically?  
A: 1) The battery needs to be charged.  
2) If the AC and DC power switches are turned ON, but there is no input and output for 30 minutes, the POWER2GO will automatically shut down and enter the low-

power mode.

- Q4: Can I use a third-party solar panel to charge my POWER2GO?

A: Yes, if the solar panel specifications are within the following ranges:

- 1) Open circuit voltage: 15Vdc-60Vdc
- 2) Output power: 500W Max
- 3) Use the same connector (MC4)
- 4) Don't mix different types of solar panels

- Q5: How long does it take to switch UPS?

A: 15ms.

- Q6: How do I know if my device will work well with this product?

A: Please evaluate the total power of your device, if it does not exceed 2500W, POWER2GO can run your device well.

Note: Some devices with built-in motors/compressors may start at 2-4 times the rated power, which can easily overload the POWER2GO.

- Q7: How do I clean my POWER2GO?

A: Please use a dry or partially wet soft, clean cloth or paper towel to wipe POWER2GO.

- Q8: Is the actual discharge capacity of the POWER2GO consistent with the nominal capacity in the user manual?

A: The target capacity of the user manual is the nominal capacity of the POWER2GO battery pack, and the POWER2GO has a certain efficiency loss during the charging and discharging process, so the actual discharge capacity of the POWER2GO is lower than the nominal capacity of the user manual.

## 11. CONTACT

- Global  
[https:// shop@bmz-group.com](mailto:shop@bmz-group.com)  
+49 6188 9956-0
- Service center (EUR)  
+49 6188 9956-0

## INHALTSVERZEICHNIS

<b>1. PRODUKTBESCHREIBUNG</b> .....	2
<b>2. ABKÜRZUNGEN</b> .....	2
<b>3. TECHNISCHE DATEN</b> .....	3
3.1 Basisparameter .....	3
3.2 Betriebsbedingungen: Entladen.....	3
3.3 Betriebsbedingungen: Laden.....	3
3.4 Steckverbinder.....	3
<b>4. PAKETINHALT</b> .....	4
<b>5. VOR DER INBETRIEBNAHME</b> .....	5
<b>6. SICHERHEITSHINWEISE</b> .....	6
<b>ALLGEMEINES</b> .....	6
<b>WARTUNG UND LAGERUNG</b> .....	6
<b>7. Betriebsanweisungen</b> .....	7
7.1 AC-Laden.....	7
7.2 PV-Laden.....	8
7.3 AC-Ausgang .....	8
7.4 Warnhinweise .....	9
<b>8. FEHLERBEHEBUNG</b> .....	10
<b>9. SICHERER UMGANG MIT DEM POWER2GO</b> .....	10
<b>10. Häufig gestellte Fragen (FAQs)</b> .....	11
<b>11. KONTAKT</b> .....	12

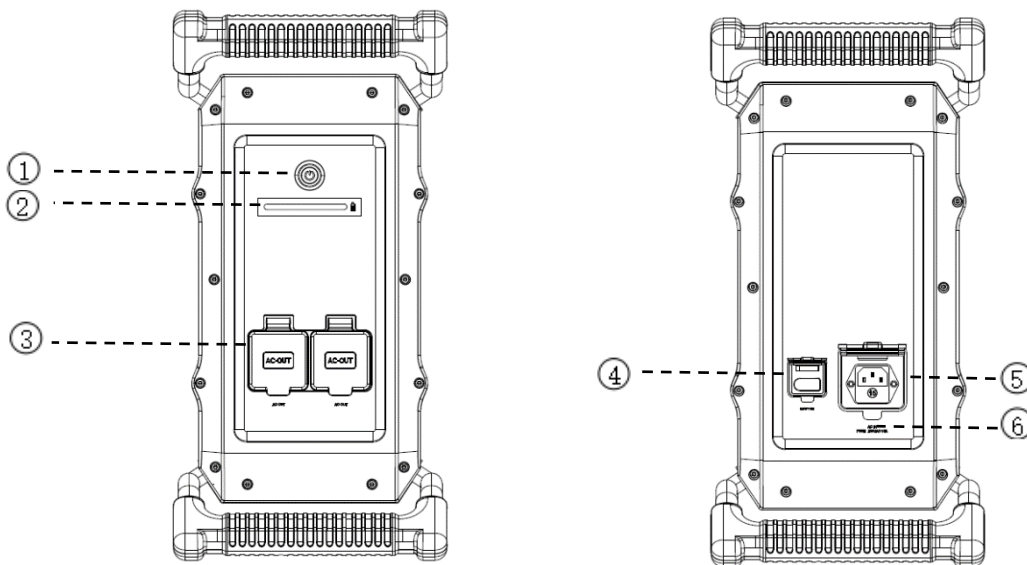


## 1. PRODUKTBESCHREIBUNG

POWER2GO ist ein netzunabhängiges, mobiles Energiespeicher-Stromerzeugungssystem mit einem integrierten Lithium-Ionen-Langzeit-Akku und einem Gehäuse aus hochfester Aluminiumlegierung.

POWER2GO ist in zwei Stromversorgungsoptionen erhältlich: entweder über das passende Ladekabel oder über den MPPT-Adapter (optionales Zubehör). Mit seiner 230 Volt Wechselspannung eignet es sich zum Betreiben sämtlicher elektrischer Geräte bis zu einer Gesamtleistung von 2500 W.

POWER2GO ist der ideale Stromlieferant für die unterschiedlichsten Einsatzzwecke wie Elektrowerkzeuge, Outdoor-Aktivitäten, Camping- und Safari-Touren, Heim-Notstromversorgung, Beleuchtung usw.



NR.	BEZEICHNUNG
①	HAUPTSCHALTER
②	SoC-INDIKATOR
③	AC-AUSGANGSSTECKDOSE
④	PV-LADEANSCHLUSS
⑤	AC-LADEANSCHLUSS
⑥	UNTERBRECHUNGSSICHERUNG

## 2. ABKÜRZUNGEN

- M P P T: Maximum Power Point Tracking
- S O C: State of Charge (Ladezustand)
- U S V: Unterbrechungsfreie Stromversorgung
- A C: Alternating Current (Wechselstrom)
- D C: Direct Current (Gleichstrom)
- P V: Photovoltaik
- D O D: Depth of Discharge (Entladungstiefe)

### 3. TECHNISCHE DATEN

3.1 Basisparameter	
Kapazität	2500 Wh
Gewicht	ca. 25 kg
Abmessungen	531 x 233 x 467 mm einschließlich Tragegriff
Schutzart	IP65 – Alle Abdeckungen sind geschlossen
Betriebsgeräusch	<30 dB
Zertifizierung	UN38.3, CE
Lagerung	> 3 Monate, etwa 50 % SoC

3.2 Betriebsbedingungen: Entladen	
Nenn-Ausgangswechselspannung	230 V AC / 50 Hz
AC-Nennleistung	2500 W
Überlastleistung 1	3600 W, 30-Sekunden-Sperre
Zulässige Betriebstemperatur	-10 °C bis 60 °C

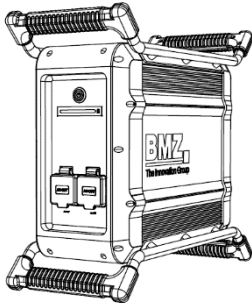
3.3 Betriebsbedingungen: Laden	
Eingangswchselspannung	100–250 V, 50 Hz / 60 Hz
AC-Eingangsleistung	1000 W
AC-Ladezeit	< 4 h bis 100 %
Solareinspeisung	500 W max., mittels Adapter
Zulässige Betriebstemperatur	0 °C bis 45 °C

3.4 Steckverbinder	
AC-Ausgang	Folgt den Verteilungsstandards (2x)
AC-Ladung	C14-Steckverbinder
PV-Ladung	Amass XT90
Eingangssicherung	T15A L 250 V

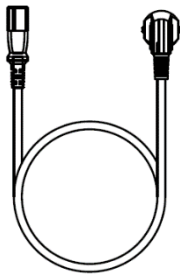
## 4. PAKETINHALT

Überprüfen Sie die Vollständigkeit aller Teile nach Erhalt. Es müssen folgende Teile enthalten sein:

- POWER2GO WORK



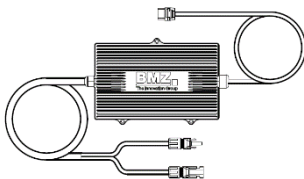
- AC-Ladekabel



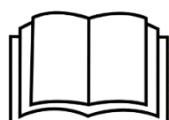
- POWER2GO WORK-Benutzerhandbuch



- MPPT-Adapter



- MPPT-Adapter-Benutzerhandbuch



Anmerkung:

Der MPPT-Adapter ist ein optionales Zubehör.

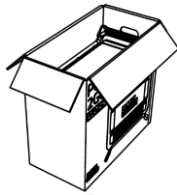
## 5. VOR DER INBETRIEBNAHME

Gehen Sie vor der ersten Benutzung Ihres POWER2GO wie folgt vor:

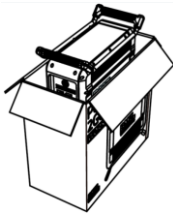
- Inspizieren Sie die Verpackung auf äußere Schäden.



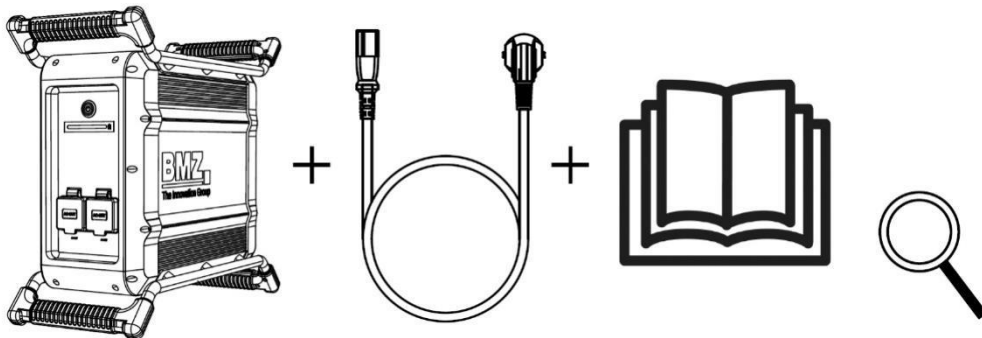
- Öffnen Sie die Verpackung an der Oberseite.



- Nehmen Sie das POWER2GO zusammen mit den Pads heraus.



- Prüfen Sie alles auf Vollständigkeit und Schäden.



- Schließen Sie das POWER2GO mit dem Ladekabel an das Stromnetz an. Die LED leuchtet automatisch auf. Zu den Einzelheiten siehe Punkt 7.1.

## 6. SICHERHEITSHINWEISE

### ALLGEMEINES

#### Beachten Sie diese Anweisungen!

BMZ achtet bei der Entwicklung seiner Produkte vor allem auf Sicherheit und Zuverlässigkeit. In diesem Handbuch finden Sie wichtige Sicherheitsinformationen zu Ihrem Gerät. Dieses Handbuch soll Ihnen helfen, das Gerät sachkundiger und effizienter zu nutzen. Wenn Sie Ihr Gerät nicht gemäß diesen Hinweisen einrichten, verwenden und pflegen, kann es Schaden nehmen und Sie oder andere verletzen.

- Betreiben oder lagern Sie das Gerät immer innerhalb des angegebenen Temperaturbereichs.
- Setzen Sie es nicht Feuer, Flüssigkeiten, Schmutz oder anderen Verunreinigungen aus, da dies zu Brand oder Stromschlag führen kann.
- Stellen Sie das Gerät nicht auf wackligen oder schrägen Untergrund.
- Achten Sie darauf, dass der Aufstellungsort gut belüftet und geräumig ist.
- Halten Sie das POWER2GO von Kindern und Haustieren fern.
- Ignorieren Sie nicht die Warnhinweise auf Teilen oder Produkten.
- Sie dürfen das Gerät in keiner Weise zerlegen, einschneiden, quetschen, einstechen oder beschädigen.
- Stecken Sie keine Fremdkörper in den Ladeanschluss, den Entladeanschluss oder sonstige Anschlüsse.
- Verwenden Sie ein zugelassenes Ladekabel und MPPT-Zubehör.
- Schalten Sie das POWER2GO bei einer Störung sofort aus.
- Bei einem Brand ist ein Trockenfeuerlöscher zu verwenden.
- Die inneren Teile des Gerätes dürfen nur durch geschultes Fachpersonal verändert oder ausgetauscht werden. Bringen Sie das Gerät zu einem autorisierten Kundendienst, da bei unsachgemäßem Wiederausammenbau die Gefahr eines Brandes oder Stromschlages besteht.

### WARTUNG UND LAGERUNG

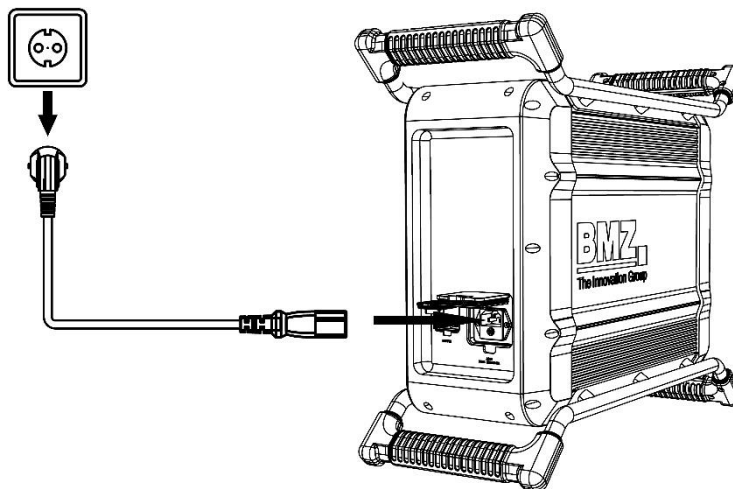
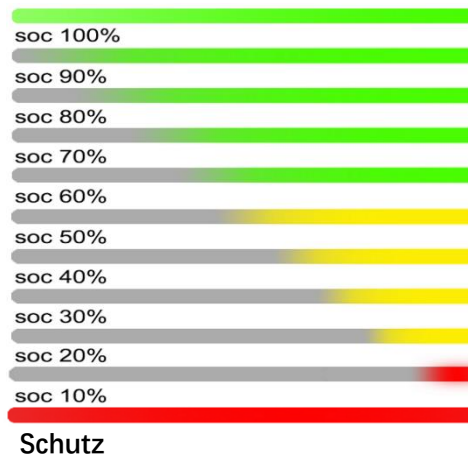
#### Beachten Sie diese Anweisungen!

- Wird das POWER2GO länger als drei Monate nicht benutzt, laden Sie es auf 40–60 % SoC, um es in einem einwandfreien Zustand zu halten.
- Schalten Sie das Gerät vor dem Lagern aus und trennen Sie alle elektrischen Verbindungen.
- Lagern Sie das POWER2GO kühl und trocken am besten bei 20–30 °C.
- Aus Sicherheitsgründen darf es nicht für längere Zeit unter -10 °C oder über 45 °C gelagert werden.
- Wenn die Akku-Ladung unter 10 % beträgt, laden Sie den Akku vor dem Lagern auf 80 %. Wird das Gerät bei schwachem Ladezustand lange Zeit nicht benutzt, führt dies zu irreversiblen Schäden an der Akkuzelle und verkürzt die Lebensdauer des Produkts.
- Der Akku sollte alle 6 Monate einem Lade- und Entladezyklus unterzogen werden, um ihn in einem einwandfreien Zustand zu halten.
- Fällt der SoC während des Betriebes oder beim Starten auf 0, führen Sie die folgenden Schritte aus, um das Gerät sicher zu laden und zu starten:
  - 4) Schalten Sie das Gerät sofort ab.
  - 5) Laden Sie es innerhalb von 24 Stunden.
  - 6) Lassen Sie es vor dem Laden mindestens eine Stunde ruhen.

## 7. Betriebsanweisungen

### 7.1 AC-Laden

Sie können das POWER2GO im ein- oder ausgeschalteten Zustand mit Wechselstrom laden, indem Sie das AC-Ladekabel direkt anschließen. Der interne Stromkreis beginnt nach einem etwa dreisekündigen Selbsttest mit dem Laden. Die LED leuchtet automatisch auf und zeigt den Ladestatus durch Leuchtbalken an.



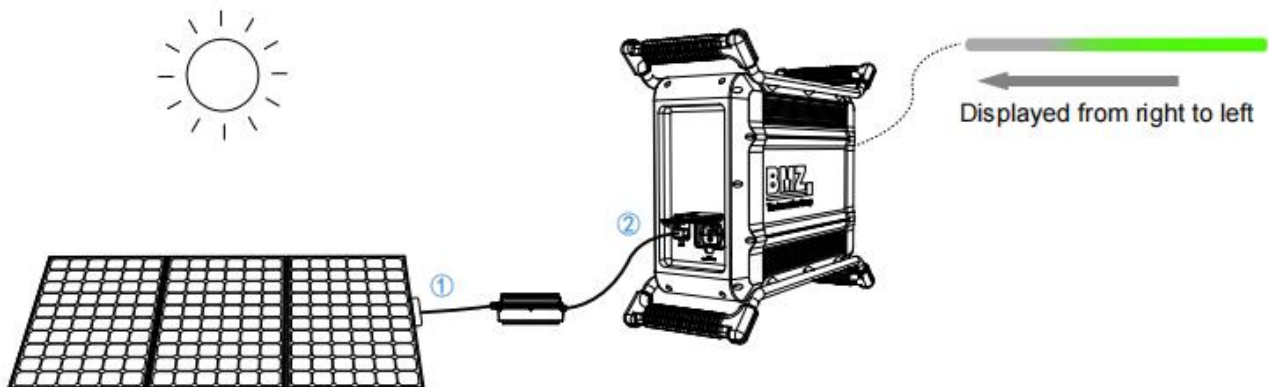
Anmerkung:

- Stecken Sie zuerst die Ladebuchse in den Ladeanschluss des POWER2GO, bevor Sie es ans Stromnetz anschließen.
- Wenn der SoC 100 % anzeigt, ist der eigentliche Ladevorgang beendet. Es empfiehlt sich, die Ladezeit beim ersten Ladevorgang zu verlängern. Dadurch kann das Gerät eine Selbstkalibrierung vornehmen.
- Die AC-Ladeleistung erhöht sich allmählich jede Minute und stabilisiert sich, wenn die maximale Ladeleistung erreicht ist.

## 7.2 PV-Laden

Das POWER2GO verfügt über eine PV-Ladefunktion. Dafür muss immer der passende MPPT-Adapter von BMZ verwendet werden.

Sie können das POWER2GO im ein- oder ausgeschalteten Zustand mittels Photovoltaik laden, indem Sie das DC-Ladekabel (XT90) direkt anschließen. Der Stromkreis beginnt nach einer etwa dreisekündigen Verzögerung, in der ein Selbsttest ausgeführt wird, mit dem Laden. Der LED-Indikator leuchtet automatisch auf und zeigt ein Lauflicht in Rechts-Links-Richtung an, das den Ladevorgang visualisiert.



Anmerkung:

- Die PV-Ladeenergie hängt von der Sonneneinstrahlung ab. Das Laden über PV sollte nur dann verwendet werden, wenn genügend Sonne zur Verfügung steht.
- Die maximale PV-Ladeleistung beträgt 500 W. Die tatsächliche Leistung kann aufgrund des Einstrahlungswinkels des Sonnenlichts niedriger sein als die maximale Leistung. Die angegebene Leistung ist vom verwendeten Solarpaneel abhängig. Zunächst bieten wir 200 W und 400 W an.
- Ihr Solarpaneel muss folgende Spezifikationen erfüllen: Leerlaufspannung: 15–60 V DC, Eingangsleistung: 500 W max.

## 7.3 AC-Ausgang

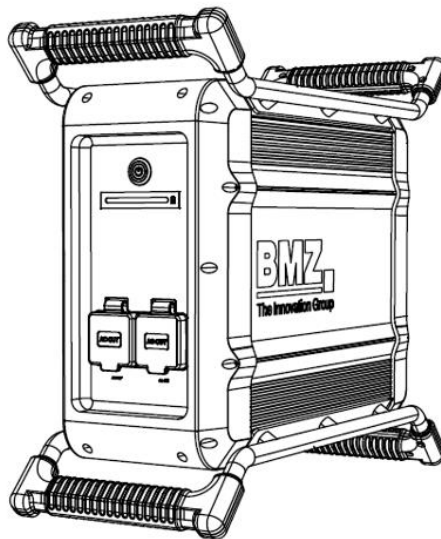
Das POWER2GO WORK besitzt zwei AC-Ausgangssteckdosen mit einer maximalen AC-Ausgangsleistung von insgesamt 2500 W und einer Spitzenleistung von 4400 W.

Wenn Sie Ihr Gerät über den AC-Ausgang betreiben, halten Sie den Hauptschalter etwa 1 Sekunde lang gedrückt. Die LED-Anzeige leuchtet auf. Nun kann das POWER2GO jedes Gerät mit einer Nennleistung von bis zu 2500 W versorgen.

Anmerkung:

- Die Entladezeit des POWER2GO hängt von vielen Faktoren ab, wie zum Beispiel Umgebungstemperatur, Entladerate, Akkukapazität, Lastcharakteristik.

- Wenn der LED-Balkenindikator rot leuchtet (im rechten Teil), ist der Akku des POWER2GO nur noch zu maximal 10 % geladen. Wenn während dieser Zeit ein Gerät mit hoher Nennleistung verwendet wird, kann das System die Schutzfunktion auslösen. Sie sollten Ihr POWER2GO darum immer rechtzeitig laden.
- Während des Betriebes werden die Innen- und die Außentemperatur des POWER2GO kontinuierlich überwacht. Die Ausgangsleistung wird auf 2000 W begrenzt, wenn die Oberflächentemperatur 50 °C erreicht, und wird abgeschaltet, wenn die Oberflächentemperatur 60 °C erreicht. Bei 25 °C und 8,7 A kann das POWER2GO vollständig entladen werden (von 100 % auf 5 %), ohne eine Abschaltung auszulösen.
- Bei kontinuierlichem Maximallastbetrieb können Geräte mit einer konstanten Leistung von 2500 W mit dem POWER2GO um die 35 Minuten betrieben werden, da die Schutzfunktion den Betrieb unterbricht, wenn die Oberflächentemperatur 60 °C erreicht.



Da sich das Produkt bei Gebrauch entlädt, wird das LED-Licht von links nach rechts schwächer

#### 7.4 Warnhinweise

- Um einen Stromschlag zu vermeiden, stecken Sie keine Finger oder metallischen Leiter in die AC-Steckdose.
- Vergewissern Sie sich vor dem AC-Anschluss eines Gerätes, dass Spannung und Leistung des Gerätes zur Ausgangsspannung und -frequenz des POWER2GO passen.
- Auf keinen Fall darf der AC-Ausgang des POWER2GO mit seinem eigenen AC-Eingang verbunden werden, da das POWER2GO sonst beschädigt wird.
- Wird 30 Minuten lang kein AC- und DC-Ausgang genutzt, schaltet sich das POWER2GO automatisch ab und wechselt in den Energiesparmodus. Es muss dann manuell wieder eingeschaltet werden.
- Ihr POWER2GO unterstützt das gleichzeitige Laden und Entladen, das heißt die USV-Funktion. Wenn die Ausgangsleistung größer ist als die Eingangsleistung, wird zuerst die Last versorgt.
- Wenn der Hauptschalter ausgeschaltet wird, werden AC, DC und die LEDs gleichzeitig ausgeschaltet.



## 8. FEHLERBEHEBUNG

LED		Mögliche Ursachen	Lösung
Zustand	Betriebszustand		
LED leuchtet rot	Laden	Es wurde ein Problem festgestellt. (Überspannungsschutz)	Entfernen Sie alle Lade- und Entladeverbindungen und stellen Sie sie nach einem Neustart des Geräts wieder her.
LED leuchtet rot	Laden	Es wurde ein Problem festgestellt. (Lade-Überhitzungsschutz)	Automatische Systemwiederherstellung nach Abkühlung des Akkus
LED leuchtet rot	Entladen	Es wurde ein Problem festgestellt. (Überlastschutz)	Entfernen Sie das Gerät, welches das POWER2GO überlastet, und starten Sie das POWER2GO neu, damit sich das System regeneriert. (Verwende Geräte, die innerhalb der Nennleistung des POWER2GO liegen.)
LED leuchtet rot	Entladen	Es wurde ein Problem festgestellt. (SoC niedrig)	Laden Sie das POWER2GO oder reduzieren Sie die Leistung der Last.
LED leuchtet rot	Entladen	Es wurde ein Problem festgestellt. (Unterspannungsschutz)	Laden Sie Ihr POWER2GO.

## 9. SICHERER UMGANG MIT DEM POWER2GO

- 9.1 Das POWER2GO darf unter keinen Umständen geöffnet werden. Reparaturen dürfen nur von geschultem Fachpersonal vorgenommen werden.
- 9.2 Die Bedienelemente, Stecker und Steckdosen des POWER2GO dürfen nicht verändert werden und dürfen nur von autorisiertem Personal ausgetauscht werden.
- 9.3 Die elektrischen Kontakte des POWER2GO dürfen nicht mit Fingern, Werkzeugen oder anderen Gegenständen berührt werden.
- 9.4 Das POWER2GO darf nur für die in diesem Benutzerhandbuch aufgeführten Anwendungen verwendet werden.
- 9.5 Das Gehäuse des POWER2GO darf nicht in Wasser oder Schlamm getaucht werden.
- 9.6 Sollte der Akku brennen, wird das Feuer am besten mit Sand gelöscht. Das POWER2GO sollte, wenn möglich, vollständig in einen Wasserbehälter getaucht werden. Die Feuerwehr muss benachrichtigt und darüber informiert werden, dass das Produkt einen Lithium-Ionen-Akku enthält.

- 9.7 Wenn das POWER2GO beschädigt ist oder nicht ordnungsgemäß verwendet wird, kann Rauch austreten. Der Rauch kann die Atemwege reizen, weshalb für frische Luft gesorgt werden muss. Begeben Sie sich darum in einen gut belüfteten Bereich. Bei Beschwerden ist sofort ein Arzt aufzusuchen.
- 9.8 Das POWER2GO darf nicht bei Temperaturen über 60 °C gelagert und muss von Wärmequellen (zum Beispiel Heizkörpern, Feuer) ferngehalten werden.
- 9.9 Aus Sicherheitsgründen darf das POWER2GO weder an explosionsgefährdeten Orten gelagert oder verwendet werden, noch darf es mit Kränen oder anderen Hebezeugen bewegt werden.
- 9.10 Um Schäden durch Umkippen oder Herunterfallen des POWER2GO zu vermeiden, achten Sie auf einen stabilen Stand des POWER2GO, wenn eine Last angeschlossen ist. Außerdem muss eine Last mit einem Kabel von ausreichender Länge an das POWER2GO angeschlossen werden.
- 9.11 Das POWER2GO darf nur mit dem mitgelieferten Ladekabel geladen werden. Alternativ können baugleiche Kabel verwendet werden. Wenn Sie sich nicht sicher sind, ziehen Sie einen Elektrofachmann oder BMZ zu Rate. Das Stromkabel darf nicht verwendet werden, wenn es defekt oder seine Isolierung beschädigt ist. Das Stromkabel darf nicht gequetscht, verknotet oder auf sonstige Weise beschädigt werden. Wir weisen ausdrücklich darauf hin, dass der Netzstecker und das Ladekabel für das POWER2GO direkt von BMZ bezogen werden können.
- 9.12 Vergewissern Sie sich vor dem Einschalten des POWER2GO, dass die angeschlossene Last ausgeschaltet ist.
- 9.13 Das POWER2GO darf nicht zum Betreiben lebenserhaltender medizinischer Geräte verwendet werden.
- 9.14 Das POWER2GO darf nicht mit einem direkten Wasserstrahl, und insbesondere nicht mit einem Hochdruckreiniger, gereinigt werden.
- 9.15 Das POWER2GO darf nicht mit Chemikalien, Kraftstoffen und Schmierstoffen in Kontakt gebracht werden.
- 9.16 Der Betrieb des POWER2GO sollte immer von erfahrenen Benutzern überwacht werden. Insbesondere Minderjährigen oder Menschen mit Beeinträchtigungen wird nicht empfohlen, das POWER2GO zu benutzen.

## 10. Häufig gestellte Fragen (FAQs)

- F1: Wie lange dauert ein vollständiger Ladevorgang?  
A: Ein vollständiger Ladevorgang dauert 3 Stunden.
- F2: Warum kann das POWER2GO nicht vollständig aufgeladen werden?  
A: Führen Sie den Kalibrierungsprozess durch, indem Sie das POWER2GO vollständig laden und entladen.
- F3: Warum schaltet sich das POWER2GO automatisch ab?  
A: 1) Der Akku muss geladen werden.  
2) Wenn der AC- und der DC-Schalter eingeschaltet sind, aber 30 Minuten lang kein Strom hinein- oder herausfließt, schaltet sich das POWER2GO automatisch ab und wechselt in den Energiesparmodus.

- F4: Kann ich ein Solarpaneel eines Drittanbieters zum Laden meines POWER2GO verwenden?  
A: Ja, wenn das Solarpaneel folgende Spezifikationen erfüllt:
  - 1) Leerlaufspannung: 15–60 V DC
  - 2) Ausgangsleistung: 500 W max.
  - 3) Gleicher Steckverbinder (MC4)
  - 4) Nicht verschiedene Arten von Solarpaneelen mischen
- F5: Wie lange dauert das Umschalten zur USV?  
A: 15 ms.
- F6: Woher weiß ich, ob mein Gerät gut mit dem POWER2GO funktioniert?  
A: Finden Sie heraus, welche Gesamtleistung das Gerät hat. Wenn es 2500 W nicht überschreitet, kann das POWER2GO Ihr Gerät problemlos betreiben.  
Anmerkung: Einige Geräte mit integrierten Motoren oder Kompressoren können mit dem 2- bis 4-Fachen der Nennleistung starten, was das POWER2GO schnell überlasten kann.
- F7: Wie reinige ich mein POWER2GO?  
A: Wischen Sie das POWER2GO nur mit einem trockenen oder angefeuchteten weichen, sauberen Stoff- oder Papiertuch ab.
- F8: Stimmt die tatsächliche Entladekapazität des POWER2GO mit der in diesem Benutzerhandbuch angegebenen Nennkapazität überein?  
A: Die im Benutzerhandbuch angegebene Sollkapazität ist die Nennkapazität des POWER2GO-Akkus. Das POWER2GO hat einen gewissen Effizienzverlust während des Lade- und Entladevorgangs, so dass die tatsächliche Entladekapazität des POWER2GO niedriger ist als die im Benutzerhandbuch angegebene Nennkapazität.

## 11. KONTAKT

- Weltweit  
[https:// shop@bmz-group.com](mailto:shop@bmz-group.com)  
+49(0)06188 9956-0
- Service-Center (EUR)  
+49 6188 9956-9830
- :BMZ Germany GmbH  
[https:// shop@bmz-group.com](mailto:shop@bmz-group.com)  
+49(0)06188 9956-0

## 目录

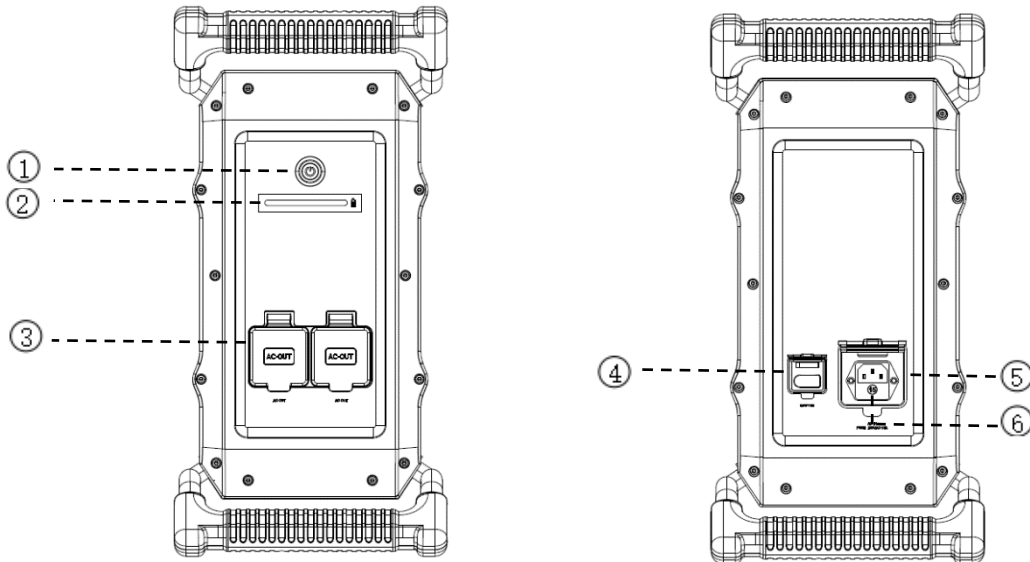
1. 产品说明.....	2
2. 缩写.....	2
3. 技术资料.....	3
3.1 基本参数.....	3
3.2 工作条件：放电.....	3
3.3 工作条件：充电.....	3
3.4 连接.....	3
4. 包装内容.....	4
5. 初步调试.....	5
6. 安全指令.....	6
一般.....	6
维护和储存.....	6
7. 操作说明.....	7
7.1 交流充电.....	7
7.2 光伏充电.....	8
7.3 交流输出.....	9
7.4 警告.....	9
8. 故障排除.....	10
9. 安全.....	11
10. 常见问题.....	12
11. 联系.....	12

## 1. 产品说明

P2G0 是一种内置的离网便携式储能发电系统，具有内置的长循环锂离子电池组和高强度铝外壳。

P2G0 有两种电源供应模式，可以通过附带的充电电缆或通过附带的 MPPT 适配器进行充电。230V 交流输出，为电气设备提供 2500W 输出功率。

P2G0 可用于应急救援、户外活动、自动驾驶旅行、家庭备用电源、照明等电子设备充电。



NO	说明
①	电源开关
②	SOC 指示器
③	交流输出端口
④	光伏充电端口
⑤	交流充电端口
⑥	交流充电保险丝

## 2. 缩写

- M P P T: 最大功率点跟踪
- S O C: 充电状态
- U P S: 不间断电源
- A C: 交流电
- D C: 直流电
- P V: 光伏
- D O D: 放电深度

### 3. 技术资料

#### 3.1 基本参数

容量	2500 Wh
重量	≈25kg
尺寸	474 x 197 x 372 mm
IP 等级	IP65
噪音	<30dB
认证	UN38.3, CE
存储	>3 个月, SOC 为 50%

#### 3.2 工作条件：放电

交流额定输出电压	230V AC/ 50Hz
交流额定输出功率	2500W
过载功率 1	3600W, 30S
允许工作温度	-10°C 至 60°C

#### 3.3 工作条件：充电

交流输入电压	100V-250V, 50Hz/60Hz
交流输入功率	1000W
交流充电时间	<4 小时至 100%
太阳能输入	最大 500W, 配有适配器
允许充电温度	0°C~45°C

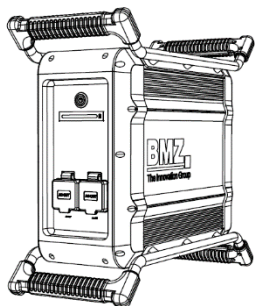
#### 3.4 连接

交流输出	将遵循分销标准
交流充电	C14 (88D-15-E1B2B)
光伏充电	XT90
输入保险丝	T15A L 250V

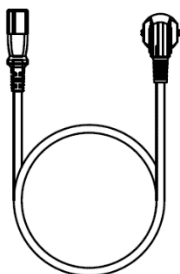
## 4. 包装内容

收到货物后检查货物的完整性，必须包含以下部分：

- POWER2GO\_WORK



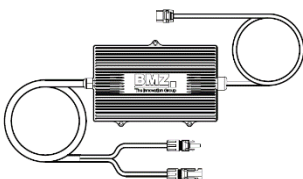
- 交流充电电缆



- POWER2GO \_WORK 用户手册



- MPPT 适配器



- MPPT 适配器用户手册



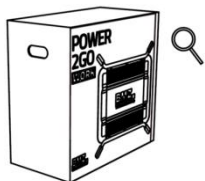
注意：

MPPT 适配器是一个可选的附件。

## 5. 初步调试

在第一次使用 POWER2GO 之前，请执行以下操作：

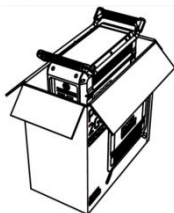
- 检查包装是否外部损坏



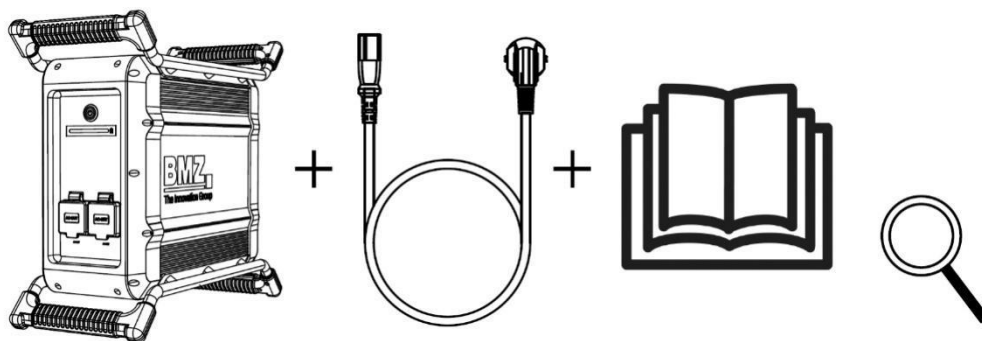
- 打开程序包的顶部



- 拿出 POWER2GO



- 检查它是否完整或损坏



- 通过充电线将 POWER2GO 连接到市电上，显示屏会自动点亮，输入端会显示充电功率值。详见第 7.1 项。



## 6. 安全指令

### 一般

#### 请注意这些说明！

BMZ 产品开发的重点是安全性和可靠性。有关您的设备的重要安全信息，请阅读本手册。本手册旨在帮助您在使用此设备时更舒适和高效。如果未能按照这些指南正确地设置、使用和护理您的设备，可能会导致设备损坏，并对您自己或他人造成伤害。

- 始终按照规定的温度范围来操作或存储设备。
- 不要使该装置暴露在火灾、液体、污垢或其他污染物中，因为这可能会导致火灾或触电。
- 请勿将该装置放置在不稳定或倾斜的表面上。
- 请确保您使用该设备的地方通风良好和宽敞。
- 请远离孩子或宠物。
- 不要忽视零件或产品上的警告标志。
- 不要以任何方式拆卸、切割、挤压、刺穿或损坏装置。
- 不要将异物插入充电口、放电口或任何其他端口。
- 请使用经认可的充电电缆和 MPPT 附件。
- 如果出现故障，请立即关闭电源 2 断开。
- 如果发生火灾，应使用干式化学灭火器。
- 除合格人员外，不得试图修改或更换本机器的内部部件。如有必要，请将其带到经授权的服务中心，因为不正确的重组可能会导致火灾或触电的风险。

### 维护和储存

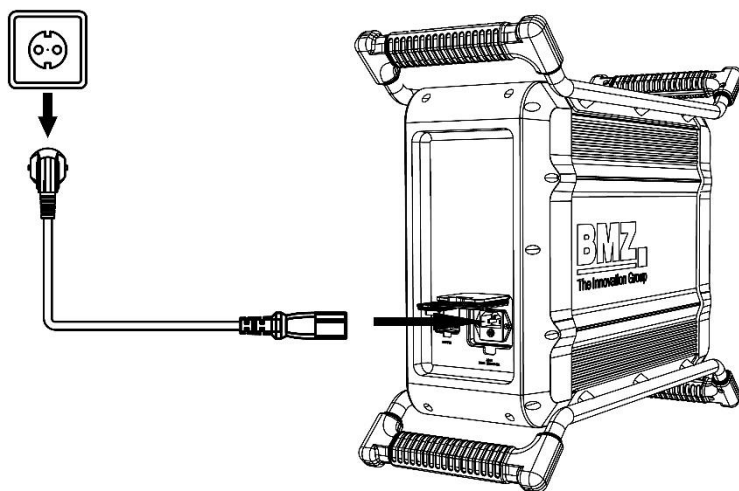
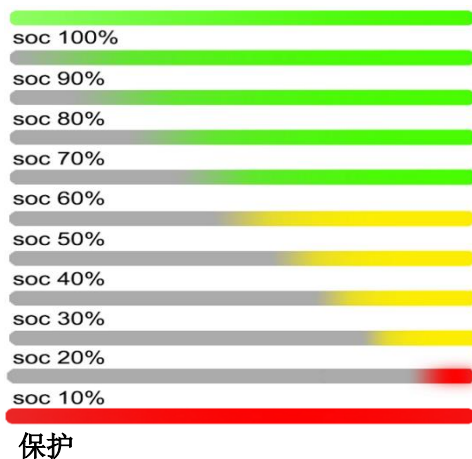
#### 请注意这些说明！

- 当 POWER2GO 未使用超过三个月时，将其充电至 40%-60% 的 SOC，以使其处于最佳状态。
- 在存储设备之前，请关闭电源，并拆除设备上的所有电气连接。
- 将 POWER2GO 储存在凉爽、干燥的地方，理想温度范围为 20° C-30° C。
- 为安全起见，不要长时间储存在 -10° C 以下或 45° C 以上。
- 如果电池使用后小于 10%，请在储存前充电至 80%。如果在电源严重短缺的情况下，如果长时间闲置，会对电池造成不可逆转的损坏，缩短产品的使用寿命。
- 建议每 6 个月循环一次，以保持电池的健康状况。
- 如果 SOC 降至 0（在运行或启动时），请采取以下步骤来安全充电并启动设备：
  - 7) 立即关闭。
  - 8) 24 小时内充电。
  - 9) 在充电前休息至少一小时。

## 7. 操作说明

### 7.1 交流充电

在开机或关闭状态下，可给 POWER2GO 交流电源充电，直接插入交流充电电缆，内部电路自检约 3 秒后开始充电，LED 将自动亮起，通过灯条等级显示充电状态。

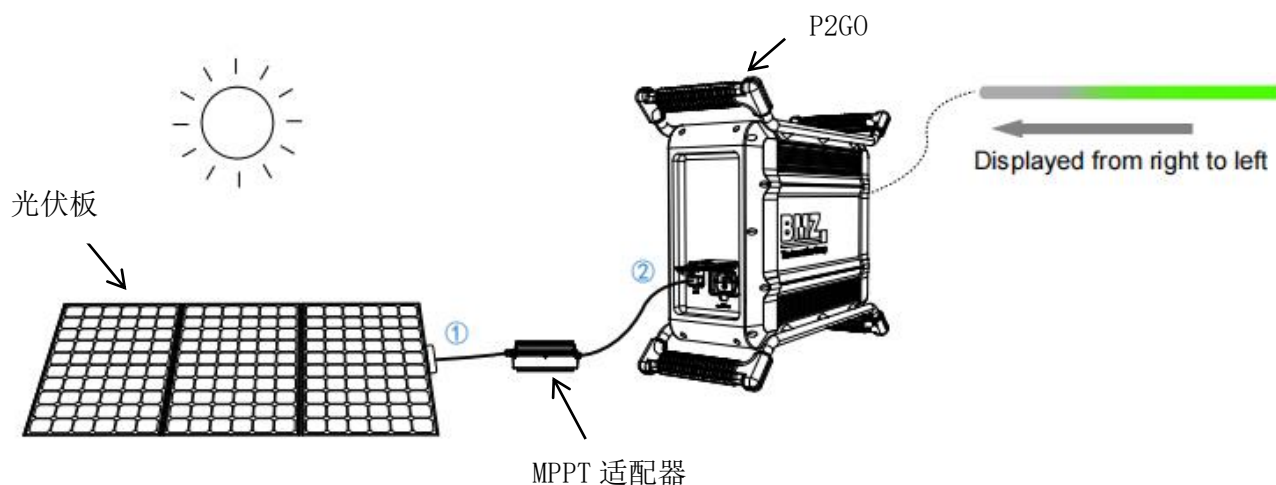


注意：

- 当 SOC 显示为 100%时，实际充电过程即结束。但目前电池要经过另一个平衡阶段，大约 60 min，建议你在此之后断开 POWER2GO 的电源。
- 交流充电功率在 1 分钟内逐渐增加，稳定到最大充电功率。

## 7.2 光伏充电

POWER2GO 具有光伏充电功能，需要注意的是，它必须与 BMZ 匹配的 MPPT 适配器一起使用。在电源开启或关闭状态下，您可以给 POWER2GO PV 充电，直接插入直流充电电缆（XT90），电路将在大约 3 秒内开始充电，以进行自检。LED 指示灯会自动亮起，显示从右到左的运行灯，作为充电参考。



注意：

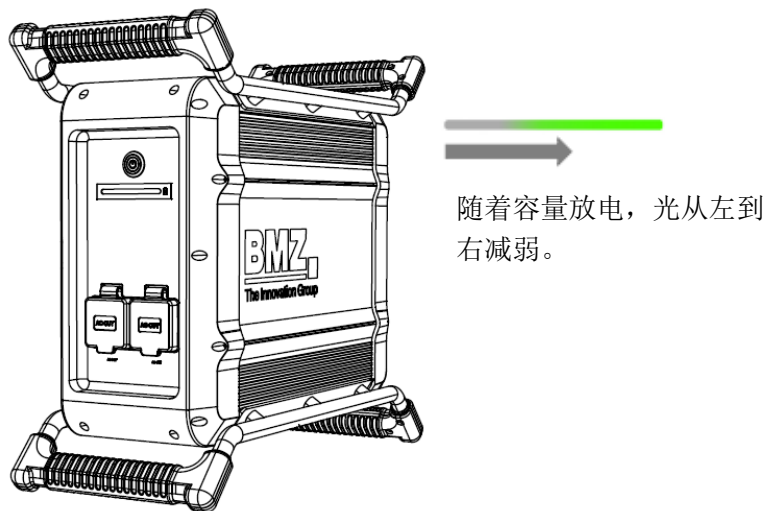
- 光伏充电能量取决于太阳光，建议在太阳光充足时使用光伏充电。
- 光伏充电的最大功率为 500W，由于太阳光照射的折射角度，实际功率可能低于最大功率。请注意，上面提到的电力取决于你将会使用的太阳能电池板。最初，我们相应地提供 200W 和 400W。
- 请确保您的太阳能电池板符合：开路电压：15 伏直流~60 伏直流输入电源：最大 500W

### 7.3 交流输出

POWER2GO \_WORK 有 2 个 AC 输出端口，最大总交流输出功率为 2500W，峰值功率为 4400W。当使用交流输出为您的设备供电时，按住开关约 1 秒，LED 指示灯条会亮起来，此时，产品可以为任何额定负荷在 2500W 及以下的设备供电。

注意：

- POWER2GO 的放电时间受到环境温度、放电率、电池容量、负载特性等诸多因素的影响。
- 当 LED 条指示灯变成红色时（灯通常在右侧部分），这意味着 POWER2GO 电池电量为 10% 或更低。在此期间，如果将使用高功率额定设备，系统可以启动保护。建议您及时给 POWER2GO 充电。
- 在运行过程中，连续监测 POWER2GO 的内外温度，当表面温度达到 50° C 时，功率将被限制在 2000W，当表面温度达到 60° C 时，输出将被切断。在 25° C 和 8.7A 时，POWER2GO 可以完全放电（100%→5%），而不会触发关闭。
- 对于连续最大负荷运行，在 2500W 恒定功率下运行的设备，通过 POWER2GO 可运行约 35 分钟左右，当表面温度达到 60° C 时，保护会切断运行。



### 7.4 警告

- 请不要将手指或任何金属导体放在交流电插座内，以避免触电。
- 在连接交流电源设备前，请确保该设备的电压和功率与 POWER2GO 的输出电压和频率相一致。
- 禁止将 POWER2GO 的交流输出与它自己的交流输入连接起来，否则会损坏 POWER2GO。
- 在没有任何交流和直流输出 30 分钟的情况下，POWER2GO 将自动关闭并进入低功耗模式，需要再次手动再次打开。
- POWER2GO 支持同时充放电，即 UPS 功能。当输出功率大于输入功率时，将首先满足负载。

## 8. 故障排除

LED		可能的原因	解决方案
状态	运行条件		
LED 红色显示	充电	检测到问题。 (过电压保护)	拆除所有充电和放电连接，并在重新启动设备后恢复
LED 红色显示	充电	检测到问题。 (充电过温保护)	当电池冷却时，自动恢复
LED 红色显示	放电	检测到问题。 (过载保护)	拆除超负荷的设备，然后重新启动 POWER2GO 以进行恢复。 (使用在 POWER2GO 的评级范围内的设备)
LED 红色显示	放电	检测到问题。 (SOC 低)	给 POWER2GO 充电或降低负载功率
LED 红色显示	放电	检测到问题。 (低压保护)	给 POWER2GO 充电

## 9. 安全

- 9.1 POWER2GO 在任何情况下都不能打开，维修只能由经过专业培训的人员进行。
- 9.2 POWER2GO 的控制元件、插头、插座等不得修改，更换只能由授权人员进行。
- 9.3 禁止用手指、工具或其他物体接触 POWER2GO 的电触点。
- 9.4 POWER2GO 不能用于其他工作台。
- 9.5 POWER2GO 的外壳不能浸没在水或泥浆中。
- 9.6 如果电池着火了，最好用沙子来灭火。如果可能，将电源 2 完全倒入任何水容器中。必须通知消防队，并告知该产品上有锂离子电池。
- 9.7 如果 POWER2GO 损坏或使用不当，蒸汽可能会泄漏。蒸汽会刺激呼吸道，此时必须吸入新鲜空气，请前往通风良好的区域。如有任何不良反应，请立即就医。
- 9.8 POWER2GO 不能储存在高于 60° C 的温度下，并且必须远离热源。加热器、加热器、火灾)。
- 9.9 POWER2GO 不得储存或使用在有爆炸危险的地方，也不得使用起重机或其他起重设备移动，以避免发生不必要的事故。
- 9.10 为了防止 POWER2GO 因翻转或跌落而受伤，在连接负载的情况下，必须确保 POWER2GO 的稳定位置，并确保连接到 POWER2GO 的负载有足够的电缆长度。
- 9.11 POWER2GO 只能使用附带的充电电缆进行充电。或者，也可以使用相同设计的电缆，如果您对此有任何疑问，请咨询电气专家或 BMZ。当电源线有缺陷或绝缘材料损坏时，严禁使用，并防止电源线因其他原因被压碎、打结或损坏。需要特别注意的是，POWER2GO 的电源插头和充电电缆可以直接从 BMZ 公司采购。
- 9.12 在打开 POWER2GO 之前，您必须确保所连接的负载已关闭。
- 9.13 POWER2GO 不得用于操作维持生命的医疗设备类型的负荷。
- 9.14 POWER2GO 不能直接用水喷射清洗，特别是不允许使用压力垫圈。
- 9.15 POWER2GO 必须避免接触化学品、燃料和润滑剂。
- 9.16 POWER2GO 的操作应始终由有经验丰富的用户进行监控，特别是未成年人或残疾人不要使用 POWER2GO。

## 10. 常见问题

- Q1: 完全充电需要多长时间?  
A: 一次充满电大约 4 个小时。
- Q2: 为什么电源不能充满电?  
A: 通过对设备充满电和放电来进行校准过程。
- Q3: 为什么 POWER2 会自动关闭?  
A: 1) 电池需要充电。  
2) 如果交流和直流电源开关关闭, 且 30 分钟内没有输入和输出, 则 POWER2GO 将自动关闭, 进入低功耗模式。
- Q4: 我可以使用第三方太阳能电池板给我的 POWER2GO 充电吗?  
A: 是的, 如果太阳能电池板的规格在以下范围内:
  - 1) 开路电压: 15Vdc-60Vdc
  - 2) 输出功率: 最大 500W
  - 3) 使用相同的连接器 (MC4)
  - 4) 不要混合不同类型的太阳能电池板
- Q5: 更换 UPS 需要多长时间?  
A: 15 毫秒。
- Q6: 我如何知道我的设备是否能与这个产品兼容?  
A: 请评估您的设备的总功率, 如果它不超过 2500W, POWER2GO 可以运行您的设备良好。  
注意: 一些配备内置电机/压缩机的设备的启动功率可能是额定功率的 2-4 倍, 这很容易使 POWER2GO 过载。
- Q7: 我如何清洁我的 POWER2GO?  
A: 请使用干燥或部分湿的柔软、干净的布或纸巾擦拭电源。
- Q8: POWER2GO 的实际放电容量是否与用户手册中的标称容量一致?  
A: 用户手册的目标容量为 POWER2GO 电池组的标称容量, POWER2GO 在充放电过程中有一定的效率损失, 因此 POWER2GO 的实际放电容量低于用户手册的标称容量。

## 11. 联系

- 全球  
<https://shop@bmz-group.com>  
+49 6188 9956-0
- 服务中心 (欧州)  
+49 6188 9956-9830
- 服务中心 (中国)  
0755-89775800-8159

## TABLE DES MATIERES

<b>1. DESCRIPTION DU PRODUIT</b> .....	2
<b>2. ABREVIATIONS</b> .....	2
<b>3. DONNÉES TECHNIQUES</b> .....	2
3.1 Paramètres de base .....	3
3.2 Condition de travail : décharge .....	3
3.3 Condition de travail : charge .....	3
3.4 Connecteur .....	3
<b>4. CONTENU DE LA BOITE</b> .....	3
<b>5. MISE EN SERVICE PRÉLIMINAIRE</b> .....	4
<b>6. CONSIGNES DE SÉCURITÉ</b> .....	5
GENERALES.....	5
ENTRETIEN ET STOCKAGE .....	6
<b>7. INSTRUCTIONS OPERATIONNELLES</b> .....	7
7.1 Charge en courant alternatif (CA).....	7
7.2 Charge PV .....	8
7.3 Sortie CA .....	8
7.4 Avertissement .....	9
<b>8. DÉPANNAGE</b> .....	10
<b>9. MANIPULER LE POWER2GO EN TOUTE SÉCURITÉ</b> .....	10
<b>10. FAQ</b> .....	11
<b>11. CONTACT</b> .....	12

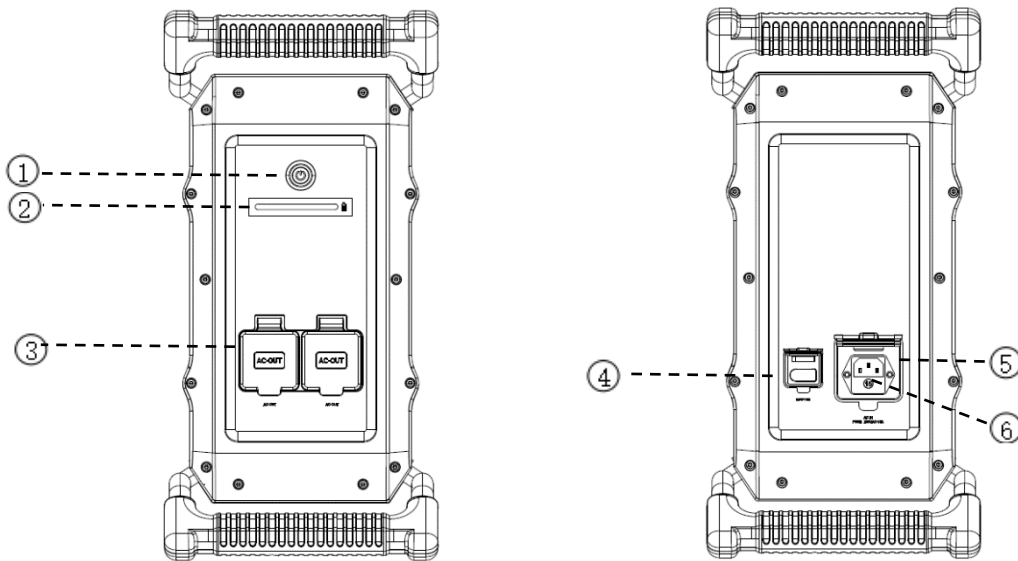


## 1. DESCRIPTION DU PRODUIT

Le POWER2GO est une station électrique portable, contenant une batterie lithium-ion d'une grande autonomie. Son corps est en alliage d'aluminium très résistant.

Le POWER2GO est disponible en deux options d'alimentation, soit via le câble de charge correspondant, soit via l'adaptateur MPPT (accessoires en option). Sa sortie CA 230V permet d'alimenter tout équipement électrique jusqu'à 2500W au total.

Le POWER2GO peut être utilisé pour alimenter n'importe quel appareil électrique comme les outils portatifs ou ceux d'éclairage. Il peut aussi servir à fournir de l'électricité lors des activités de plein air, des voyages en voiture ... Enfin, c'est une solution d'alimentation de secours pour la maison.



NO	INSTRUCTIONS
①	INTERRUPTEUR D'ALIMENTATION (MARCHE / ARRÊT)
②	INDICATEUR D'ÉTAT DE CHARGE
③	PORT DE SORTIE AC (AC = CA : Courant Alternatif)
④	PORT DE CHARGE PV (Photovoltaïque)
⑤	PORT DE CHARGE AC (CA)
⑥	DISJONCTEUR / FUSIBLE

## 2. ABREVIATIONS

- M P P T : Maximum Power Point Tracking (suivi du point de puissance maximale)
- S O C : State Of Charge (état de charge)
- U P S : Uninterrupted Power Supply (alimentation électrique ininterrompue)
- A C : Alternating Current (Courant Alternatif)
- D C : Direct Current (Courant Continu)
- P V : Photovoltaic (photovoltaïque)
- D O D : Depth of discharge (profondeur de décharge)

### 3. DONNÉES TECHNIQUES

#### 3.1 Paramètres de base

Capacité	2500 Wh
Poids	≈25kg
Dimensions	531 x 233 x 467 mm avec la poignée
Classe IP	IP65 – Tous les couvercles sont fermés
Niveau sonore	<30dB
Certifications	UN38.3, CE
Stockage	>3 mois, environ 50% du SOC

#### 3.2 Etat de fonctionnement : décharge

Tension de sortie nominale CA	230V CA/ 50Hz
Puissance nominale CA	2500W
Puissance de surcharge 1	3600W, protection active après 30 secondes
Température ambiante admissible	-10°C to 60°C

#### 3.3 Etat de fonctionnement : charge

Tension d'entrée CA	100V-250V,50Hz/60Hz
Puissance d'entrée CA	1000W
Temps de charge CA	<4h à 100%
Electricité fournie par les panneaux solaires	500W Max, selon les connecteurs
Température ambiante admissible	0°C~45°C

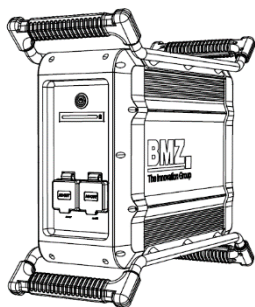
#### 3.4 Connecteur

Sortie CA	Suivra les normes de distribution (2x)
Entrée de charge CA	Connecteur C14
Charge en énergie solaire	Amass XT90
Fusible d'entrée	T15A L 250V

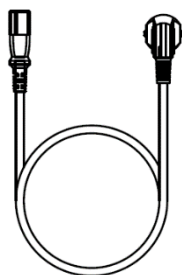
## 4. CONTENU DE LA BOITE

Vérifier l'intégralité de la marchandise après réception. La boîte doit contenir les éléments suivants :

- POWER2GO WORK



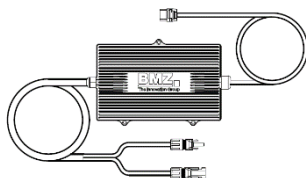
- Câble de charge CA



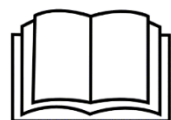
- Manuel d'utilisation du POWER2GO \_WORK



- Adaptateur MPPT



- Mode d'emploi de l'Adaptateur MPPT



**NB: l'Adaptateur MPPT est un accessoire en option.**

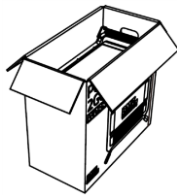
## 5. MISE EN SERVICE PRÉLIMINAIRE

Avant d'utiliser le POWER2GO pour la première fois, veuillez procéder comme suit :

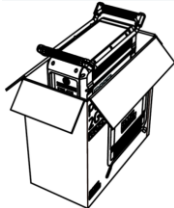
- Inspecter l'emballage pour vérifier qu'il n'y a pas de dommages externes



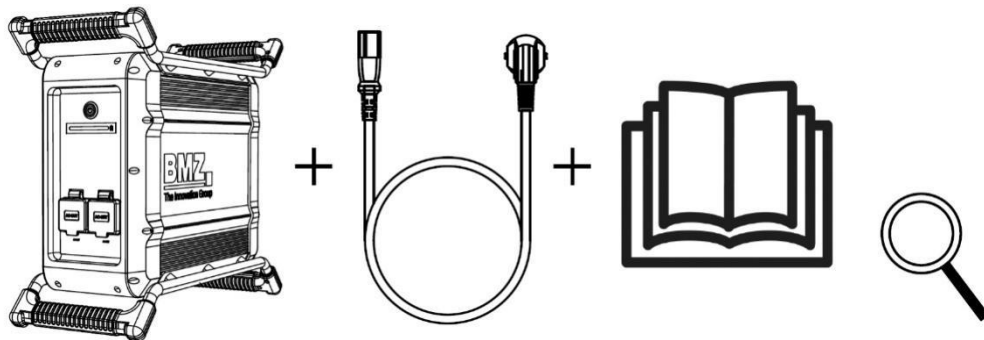
- Ouvrir le dessus de l'emballage



- Retirer le POWER2GO ainsi que les coussinets.



- Vérifier s'il est complet ou endommagé



- Connecter le POWER2GO au secteur à l'aide du câble de charge (câble secteur) et la LED s'allumera automatiquement. Se référer au point 7.1 pour plus de détails.

## 6. CONSIGNES DE SÉCURITÉ

### GENERALES

**Attention ! Lisez attentivement ces instructions.**

Le développement des produits BMZ est axé sur la sécurité et la fiabilité. Lisez ce manuel pour obtenir des informations de sécurité importantes sur votre appareil. Ce manuel est conçu pour vous aider à utiliser cet appareil de manière plus confortable et plus efficace. Si vous n'installez pas, n'utilisez pas et n'entretenez pas correctement votre appareil conformément à ces instructions, vous risquez de l'endommager et de vous blesser ou de blesser d'autres personnes.

- Utilisez ou stockez toujours l'appareil en respectant la plage de température indiquée.
- N'exposez pas l'appareil au feu, à des liquides, poussières ou à d'autres polluants, car cela pourrait provoquer un incendie ou une électrocution.
- Ne placez pas l'appareil sur des surfaces instables ou inclinées.
- Veillez à ce que l'endroit où vous utilisez l'appareil soit bien ventilé et vaste.
- Veuillez tenir le POWER2GO à l'écart des enfants et des animaux domestiques.
- Ne pas ignorer les signes d'avertissement sur les pièces ou les produits.
- Ne démontez pas, ne coupez pas, n'écrasez pas, ne percez pas et n'endommagez pas l'appareil de quelque manière que ce soit.
- N'insérez pas de corps étrangers dans le port de charge, de décharge ou tout autre port.
- Veuillez utiliser un câble de charge et des accessoires MPPT agréés par le fabricant.
- En cas de dysfonctionnement, éteindre immédiatement le POWER2GO.
- En cas d'incendie, un extincteur à poudre doit être utilisé.
- Seul un personnel qualifié est habilité à modifier ou remplacer les pièces internes de cette machine. Si nécessaire, confiez-le à un centre de service agréé, car un réassemblage incorrect peut entraîner un risque d'incendie ou d'électrocution.

### ENTRETIEN ET STOCKAGE

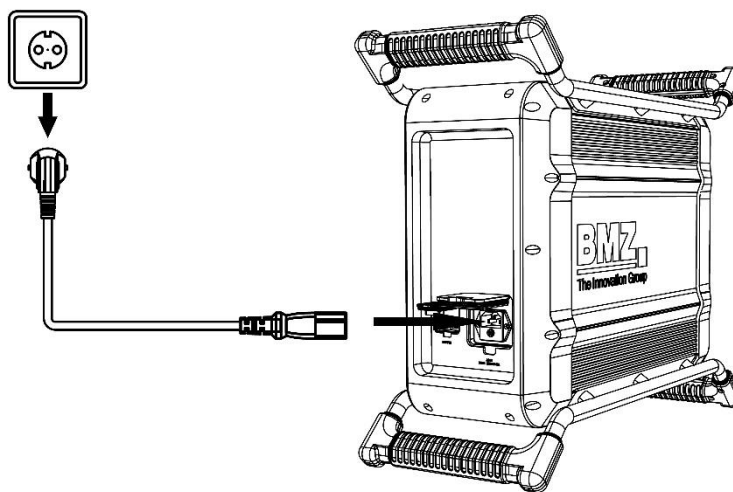
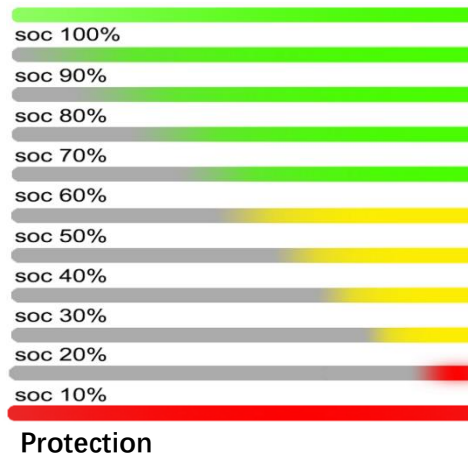
**Attention ! Lisez attentivement ces instructions.**

- Si le POWER2GO n'est pas utilisé pendant plus de 3 mois, chargez-le à 40%-60% du SOC pour le maintenir en parfait état.
- Avant de ranger l'appareil, le mettre hors tension et en retirer toutes les connexions électriques.
- Stocker le POWER2GO dans un endroit frais et sec, à une température entre 20°C et 30°C.
- Pour des raisons de sécurité, ne pas stocker l'appareil à une température inférieure à -10°C ou supérieure à 45°C pendant de longues périodes.
- Si la batterie est chargée à moins de 10% après utilisation, chargez-la à 80% avant de la ranger. A défaut, si la batterie reste inutilisée pendant une longue période en cas de coupure de courant prolongée, la cellule de la batterie subira des dommages irréversibles et la durée de vie du produit s'en trouvera réduite.
- Il est recommandé d'effectuer 1 cycle de charge tous les 6 mois pour préserver la santé du produit.
- Si le SOC chute à 0 (pendant le fonctionnement ou le démarrage), prenez les mesures suivantes pour charger et démarrer l'appareil en toute sécurité :
  - 1) Arrêtez immédiatement l'appareil.
  - 2) Chargez le dans les 24 heures.
  - 3) Laissez reposer l'appareil pendant au moins une heure avant de le charger.

## 7. INSTRUCTIONS OPERATIONNELLES

### 7.1 Charge en courant alternatif

Lorsque l'appareil est allumé ou éteint, vous pouvez charger le POWER2GO en courant alternatif, en branchant directement le câble de charge CA (câble secteur). Le circuit interne commence à charger après environ 3 secondes d'auto-test et la LED s'allume automatiquement pour afficher l'état de charge à l'aide d'une barre lumineuse.



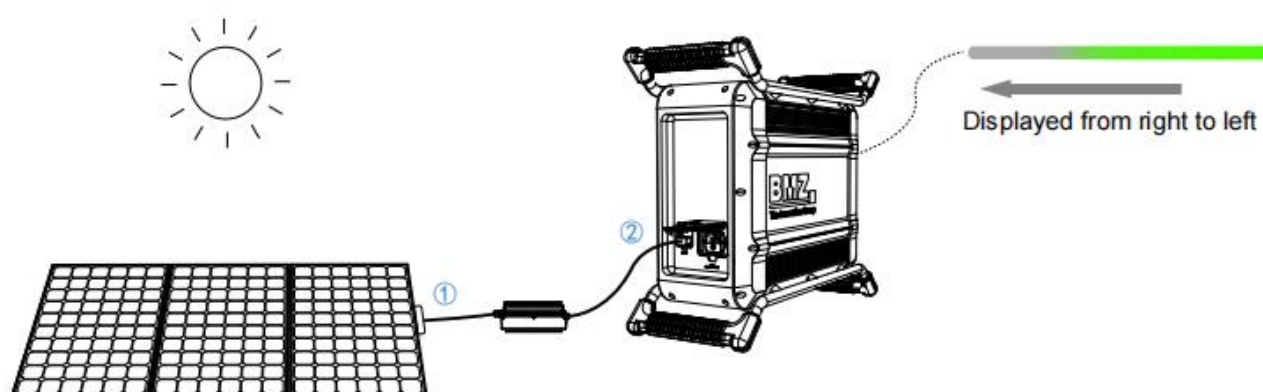
N.B :

- Avant de brancher le POWER2GO sur le secteur, insérez d'abord la prise de charge dans le port de charge du POWER2GO.
- Lorsque le SOC affiche 100 %, le processus de charge est terminé. Il est conseillé de prolonger le temps de charge lors de votre premier processus de charge. Cela permet à l'appareil d'effectuer un auto-calibrage.
- La puissance de charge en courant alternatif augmente progressivement toutes les minutes et se stabilise lorsque la puissance de charge maximale est atteinte.

## 7.2 Charge PV (photovoltaïque)

Le POWER2GO a une fonction de charge PV. Attention : il doit être utilisé avec l'adaptateur MPPT BMZ correspondant !

Que le POWER2GO soit sur ON ou OFF, vous pouvez le charger en énergie électrique photovoltaïque en branchant directement le câble de charge CC (XT90). Le circuit commencera à charger au bout d'environ 3 secondes pour effectuer l'auto-test. L'indicateur LED s'allumera automatiquement pour montrer la lumière de fonctionnement dans la direction droite-gauche, ce qui sert de référence pour la charge.



N.B :

- L'énergie de la charge PV dépend de la lumière du soleil. Il est recommandé d'utiliser la charge PV lorsque la lumière du soleil est suffisante.
- La puissance maximale de la charge photovoltaïque est de 500 W et la puissance réelle peut être inférieure à la puissance maximale en raison de l'angle de réfraction de la lumière du soleil. Notez que la puissance mentionnée dépend du panneau solaire dont vous disposerez. Au départ, nous proposons des panneaux de 200W et 400W.
- Veuillez vous assurer que votre panneau solaire est conforme à ce qui suit :  
Tension en circuit ouvert : 15V CC ~ 60V CC. Puissance d'entrée : 500W Max

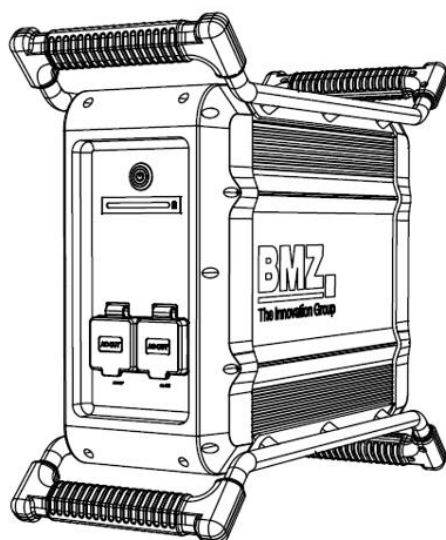
## 7.3 Sortie CA

Le POWER2GO \_WORK dispose de 2 ports de sortie CA, avec une puissance de sortie CA totale maximale de 2500W et une puissance de crête de 4400W.

Lorsque vous utilisez la sortie CA pour alimenter votre appareil, appuyez sur l'interrupteur et maintenez le enfoncé pendant environ 1 seconde : la barre d'indicateur LED s'allume. A ce moment-là, le produit peut alimenter n'importe quel appareil dont la charge nominale est inférieure ou égale à 2500W.

Note :

- Le temps de décharge de POWER2GO est affecté par de nombreux facteurs tels que la température ambiante, le taux de décharge, la capacité de la batterie, les caractéristiques de la charge, etc.
- Lorsque l'indicateur LED devient rouge (la lumière se trouve généralement sur le côté droit), cela signifie que le niveau de la batterie du POWER2GO est inférieur ou égal à 10%. Pendant cette période, si un appareil à forte puissance est utilisé, le système peut activer la protection. Il est conseillé de recharger le POWER2GO à temps.
- Pendant le fonctionnement, les températures interne et externe du POWER2GO sont contrôlées en permanence. La puissance sera limitée à 2000W lorsque la température de surface atteindra 50°C et la tension de sortie sera coupée lorsque la température de surface atteindra 60°C. A 25°C et 8,7A, le POWER2GO peut être entièrement déchargé (100% -> 5%) sans déclencher d'arrêt.
- Pour un fonctionnement continu à charge maximale, les appareils avec une puissance constante de 2500W peuvent être alimentés par le POWER2GO pendant plus de 35 minutes. En effet, la protection coupera le fonctionnement lorsque la température de surface atteindra 60°C.



Light diminishes from left to right as capacity discharges.



## 7.4 Avertissement

- Veuillez ne pas mettre vos doigts ou un conducteur métallique à l'intérieur de la prise CA afin d'éviter tout choc électrique.
- Avant de brancher le dispositif d'alimentation en courant alternatif, s'assurer que la tension et la puissance du dispositif sont compatibles avec la tension et la fréquence de sortie du POWER2GO.
- Il est interdit de connecter la sortie CA du POWER2GO avec sa propre entrée CA, sinon le POWER2GO sera endommagé.
- S'il n'est pas utilisé pendant 30 minutes, le POWER2GO se mettra en veille automatiquement et devra être rallumé manuellement.
- Le POWER2GO peut supporter la charge et la décharge simultanées grâce à la fonction UPS. Lorsque la puissance de sortie est supérieure à la puissance d'entrée, la décharge est servie en premier.
- Lorsque l'interrupteur d'alimentation principal est éteint, le courant alternatif, le courant continu et les LED sont désactivés en même temps.

## 8. DÉPANNAGE

LED		Cause probable	Solution
Etat	Conditions d'utilisation		
<b>Affichage LED rouge</b>	Charge	Un problème a été détecté. (protection contre les surtensions)	Retirer toutes les connexions de charge et de décharge et les rétablir après le redémarrage de l'appareil.
<b>Affichage LED rouge</b>	Charge	Un problème a été détecté. (protection contre la surchauffe de la charge)	Reprise automatique lorsque la batterie se refroidit.
<b>Affichage LED rouge</b>	Décharge	Un problème a été détecté. (protection contre la surcharge)	Retirer l'appareil trop chargé et redémarrer le POWER2GO pour qu'il se remette en marche ((utiliser des appareils qui sont dans la gamme de puissance du POWER2GO)
<b>Affichage LED rouge</b>	Décharge	Un problème a été détecté. (SOC faible)	Charger le POWER2GO ou réduire la puissance de la charge
<b>Affichage LED rouge</b>	Décharge	Un problème a été détecté. (Protection contre la basse tension)	Charger le POWER2GO

## 9. MANIPULER LE POWER2GO EN TOUTE SÉCURITÉ

- 9.1 Le POWER2GO ne peut en aucun cas être ouvert et les réparations ne peuvent être effectuées que par du personnel professionnellement qualifié.
- 9.2 Les éléments de contrôle, les fiches et les prises, etc. du POWER2GO ne doivent pas être modifiés et leur remplacement ne doit être effectué que par du personnel autorisé.
- 9.3 Il est interdit de toucher les contacts électriques du POWER2GO avec les doigts, des outils ou d'autres objets.
- 9.4 POWER2GO ne doit pas être utilisé comme un établi.
- 9.5 Le boîtier du POWER2GO ne peut pas être immergé dans l'eau ou la boue.
- 9.6 Si la batterie prend feu, il est préférable d'utiliser du sable pour éteindre le feu. Si possible, videz complètement le POWER2GO dans un récipient d'eau. Les pompiers doivent être prévenus et informés que le produit est équipé d'une batterie lithium-ion.
- 9.7 Si le POWER2GO est endommagé ou mal utilisé, de la vapeur peut s'en échapper. La vapeur peut irriter les voies respiratoires, auquel cas il faut ventiler la pièce. Si vous avez des réactions indésirables, consultez immédiatement un médecin.
- 9.8 Le POWER2GO ne doit pas être stocké à des températures supérieures à 60°C et doit être tenu à l'écart des sources de chaleur (par exemple, radiateurs, feu).
- 9.9 Le POWER2GO ne doit pas être stocké ou utilisé dans des endroits où existe un risque d'explosion. Il ne doit pas être déplacé à l'aide de grues ou d'autres équipements de levage afin d'éviter tout incident indésirable.
- 9.10 Pour éviter toute blessure due au basculement ou à la chute du POWER2GO, veiller à ce que le POWER2GO soit positionné de manière stable s'il fonctionne avec des équipements raccordés. Pour cela, assurez-vous que la charge connectée au POWER2GO ait une longueur de câble suffisante.
- 9.11 Le POWER2GO ne peut être chargé qu'à l'aide du câble de charge fourni. Il est également possible d'utiliser des câbles de même conception et, en cas de doute, de consulter un électricien ou BMZ. Il est interdit d'utiliser le câble d'alimentation s'il est défectueux ou si l'isolation est endommagée, et il faut protéger le câble d'alimentation pour qu'il ne soit pas écrasé, noué ou abîmé pour d'autres raisons. Merci de noter que la fiche d'alimentation et le câble de charge du POWER2GO peuvent être obtenus directement auprès de BMZ.
- 9.12 Avant d'allumer le POWER2GO, assurez-vous que les équipements raccordés sont éteints.
- 9.13 Le POWER2GO ne doit pas être utilisé pour faire fonctionner des appareils de soins médicaux vitaux.
- 9.14 Le POWER2GO ne peut pas être nettoyé directement à l'eau, en particulier les nettoyeurs à pression ne sont pas autorisés.
- 9.15 Il faut éviter de mettre le POWER2GO en contact avec des produits chimiques, des carburants et des lubrifiants.
- 9.16 Le fonctionnement du POWER2GO doit toujours être contrôlé par des utilisateurs expérimentés, en particulier les mineurs ou les personnes handicapées ne devraient pas utiliser le POWER2GO.

## 10. FAQ

- Combien de temps faut-il pour une charge complète ?  
Une charge complète prend au total 4 heures.
- Pourquoi le POWER2GO ne peut-il pas être complètement chargé ?  
Effectuez le processus d'étalonnage en chargeant et en déchargeant complètement l'appareil.
- Pourquoi POWER2GO s'éteint-il automatiquement ?
  - 1) La batterie doit être chargée.
  - 2) Si les interrupteurs d'alimentation CA et CC sont activés, mais qu'il n'y a pas d'entrée ni de sortie de courant pendant 30 minutes, le POWER2GO s'arrêtera automatiquement et entrera en mode basse consommation.
- Puis-je utiliser un panneau solaire tiers pour charger mon POWER2GO ?  
Oui, si les spécifications du panneau solaire se situent dans les pages suivantes :
  - 1) Tension de circuit ouvert : 15V CC - 60V CC
  - 2) Puissance de sortie : 500W Max
  - 3) Utiliser le même connecteur (MC4)
  - 4) Ne pas mélanger différents types de panneaux solaires
- Combien de temps faut-il pour allumer l'alimentation électrique ininterrompue (p3) ? How long does it take to switch UPS?  
15 micro secondes.
- Comment puis-je savoir si mon appareil fonctionnera bien avec ce produit ?  
Évaluez la puissance totale de votre appareil, si elle ne dépasse pas 2500W, le POWER2GO peut bien le faire fonctionner.  
Note : Certains appareils avec des moteurs/compresseurs intégrés peuvent démarrer à 2-4 fois la puissance nominale, ce qui peut facilement surcharger le POWER2GO.
- Comment nettoyer mon POWER2GO ?  
Utilisez un chiffon doux et propre, sec ou partiellement mouillé, ou une serviette en papier pour essuyer le POWER2GO.
- La capacité de décharge réelle du POWER2GO correspond-elle à la capacité nominale indiquée dans le manuel de l'utilisateur ?  
La capacité cible du manuel de l'utilisateur est la capacité nominale de la batterie POWER2GO, et le POWER2GO a une certaine perte d'efficacité pendant le processus de charge et de décharge, de sorte que la capacité de décharge réelle du POWER2GO est inférieure à la capacité nominale du manuel de l'utilisateur.

## 11. CONTACT

- Monde entier :  
<https://shop@bmz-group.com>  
+49 6188 9956-0
- Service center (Europe)  
+49 6188 9956-983

## SPIS TREŚCI

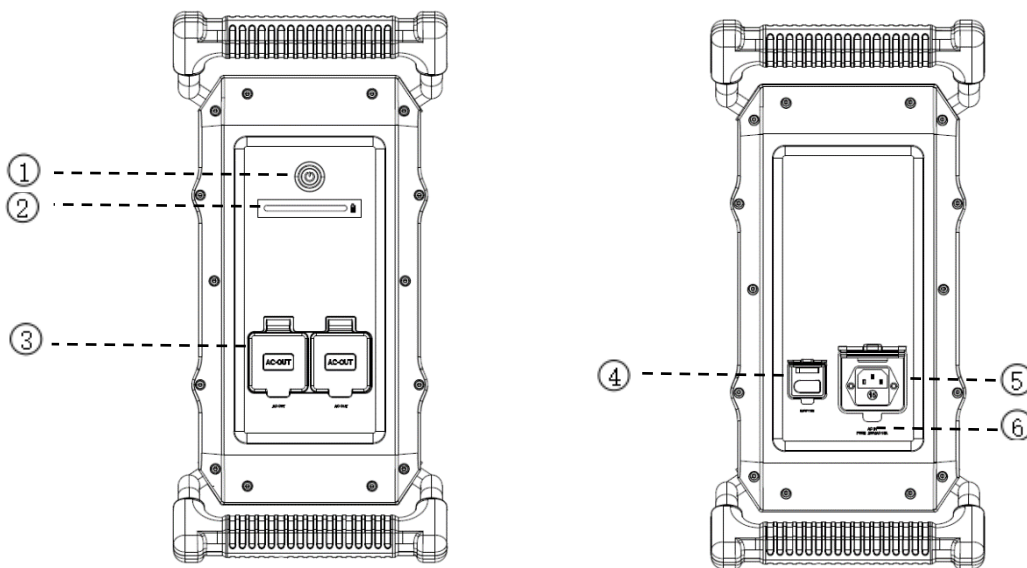
<b>1. OPIS PRODUKTU</b> .....	2
<b>2. SKRÓTY</b> .....	2
<b>3. DANE TECHNICZNE</b> .....	3
3.1 Parametry podstawowe .....	3
3.2 Warunki pracy Rozładowanie .....	3
3.3 Warunki pracy Ładowanie.....	3
3.4 Złącze .....	3
<b>4. ZAWARTOŚĆ OPAKOWANIA</b> .....	4
<b>5. WSTĘPNE URUCHOMIENIE</b> .....	5
<b>6. INSTRUKCJE DOTYCZĄCE BEZPIECZEŃSTWA</b> .....	6
<b>OGÓLNE</b> .....	6
<b>KONSERWACJA I PRZECHOWYWANIE</b> .....	6
<b>7. Instrukcje obsługi</b> .....	7
7.1 Ładowanie AC .....	7
7.2 Ładowanie PV .....	8
7.3 Wyjście AC .....	9
7.4 Ostrzeżenie .....	9
<b>8. ROZWIĄZYWANIE PROBLEMÓW</b> .....	10
<b>9. BEZPIECZNE KORZYSTANIE Z POWER2GO</b> .....	11
<b>10. Najczęściej zadawane pytania</b> .....	12
<b>11. KONTAKT</b> .....	12

## 1. OPIS PRODUKTU

POWER2GO to przenośny system magazynowania energii poza siecią z wbudowanym akumulatorem litowo-jonowym o długim cyklu pracy i obudową ze stopu aluminium o wysokiej wytrzymałości.

POWER2GO jest dostarczany z dwiema opcjami zasilania – poprzez pasujący kabel ładujący lub adapter MPPT (akcesoria opcjonalne). Wyjście AC 230 V do zasilania dowolnego sprzętu elektrycznego o łącznej mocy do 2500 W.

POWER2GO może służyć do zasilania dowolnego urządzenia elektronicznego, takiego jak elektronarzędzia, sprzęt do aktywności na świeżym powietrzu, samodzielnej podróży, zasilania awaryjnego w domu, oświetlenia itp.



NR	INSTRUKCJE
①	WŁĄCZNIK ZASILANIA
②	WSKAŹNIK SOC
③	PORT WYJŚCIOWY AC
④	PORT ŁADOWANIA PV
⑤	PORT ŁADOWANIA AC
⑥	BEZPIECZNIK

## 2. SKRÓTY

- M P P T: Śledzenie punkty mocy maksymalnej
- S O C: Stan naładowania
- U P S: Zasilacz awaryjny
- A C: Prąd przemienny
- D C: Prąd stały
- P V: Fotowoltaika
- D O D: Głębokość rozładowania

### 3. DANE TECHNICZNE

#### 3.1 Parametry podstawowe

Pojemność	2500 Wh
Masa	≈25 kg
Wymiary	531 x 233 x 467 mm wraz z uchwytem
Klasa IP	IP65 – wszystkie osłony są zamknięte
Hałas	<30 dB
Certyfikaty	UN38.3, CE
Przechowywanie	> 3 miesiące, ok. 50% SOC

#### 3.2 Warunki pracy Rozładowanie

Znamionowe napięcie wyjściowe AC	230 VAC/ 50 Hz
Moc znamionowa AC	2500 W
Moc przeciążenia 1	3600 W, blokada 30S
Dopuszczalna temperatura robocza	-10°C do 60°C

#### 3.3 Warunki pracy Ładowanie

Napięcie wejściowe AC	100 V–250 V, 50 Hz/60 Hz
Moc wejściowa AC	1000 W
Czas ładowania AC	<4 godz. do 100%
Wejście słoneczne	Maks 500 W , możliwość współpracy z adapterami
Dopuszczalna temperatura ładowania	0°C–45°C

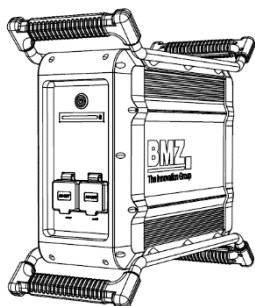
#### 3.4 Złącze

Wyjście AC	Zgodne ze standardami dystrybucji (2x)
Ładowanie AC	Złącze C14
Ładowanie PV	Amass XT90
Bezpiecznik wejściowy	T15A L 250 V

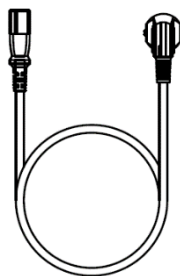
## 4. ZAWARTOŚĆ OPAKOWANIA

Po otrzymaniu towaru należy sprawdzić jego kompletność; musi on zawierać następujące elementy:

- POWER2GO WORK



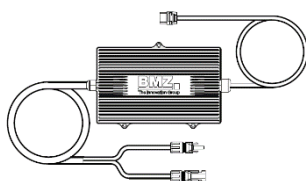
- Kabel ładowania AC



- Instrukcja obsługi POWER2GO \_WORK



- Adapter MPPT



- Instrukcja obsługi adaptera MPPT



Uwaga:

Adapter MPPT jest akcesorium opcjonalnym.

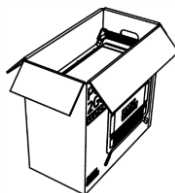
## 5. WSTĘPNE URUCHOMIENIE

Przed pierwszym użyciem POWER2GO należy wykonać następujące czynności:

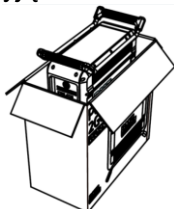
- Sprawdzić opakowanie pod kątem uszkodzeń zewnętrznych



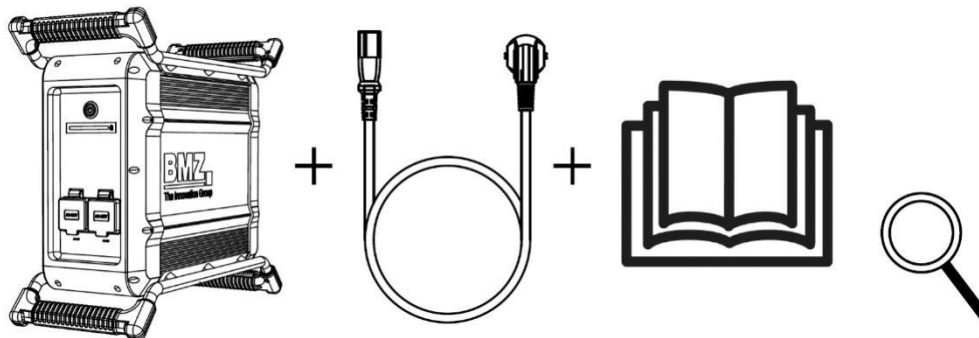
- Otworzyć górną część opakowania



- Wyjąć POWER2GO wraz z podkładkami



- Sprawdzić, czy urządzenie jest kompletne lub uszkodzone



- Podłączyć POWER2GO do sieci za pomocą kabla ładowania, dioda LED zaświeci się automatycznie. Szczegóły znajdują się w sekcji 7.1



## 6. INSTRUKCJE DOTYCZĄCE BEZPIECZEŃSTWA

### OGÓLNE

Prosimy przestrzegać tych instrukcji!

Rozwój produktów BMZ jest ukierunkowany na bezpieczeństwo i niezawodność. Prosimy zapoznać się z niniejszą instrukcją, aby uzyskać ważne informacje dotyczące bezpieczeństwa urządzenia. Niniejsza instrukcja ma na celu pomóc użytkownikowi w wygodniejszym i sprawniejszym korzystaniu z urządzenia. Nieprawidłowa konfiguracja, użytkowanie i konserwacja urządzenia zgodnie z niniejszymi wytycznymi może spowodować uszkodzenie urządzenia i obrażenia ciała użytkownika lub innych osób.

- Urządzenie należy zawsze obsługiwać lub przechowywać zgodnie z podanym zakresem temperatur.
- Nie narażać urządzenia na działanie ognia, płynów, brudu lub innych zanieczyszczeń, ponieważ może to spowodować pożar lub porażenie prądem.
- Nie umieszczać urządzenia na niestabilnych lub pochyłych powierzchniach.
- Upewnić się, że miejsce, w którym używane jest urządzenie jest dobrze wentylowane i przestronne.
- Trzymać urządzenie POWER2GO z dala od dzieci i zwierząt domowych.
- Nie wolno ignorować znaków ostrzegawczych umieszczonych na częściach lub produktach.
- Nie wolno demontować, przecinać, zgniatać, przebijać ani uszkadzać urządzenia w jakikolwiek sposób.
- Nie wolno wkładać ciał obcych do portu ładowania, portu rozładowania ani żadnego innego portu.
- Należy używać zatwierdzonego kabla ładowania i akcesoriów MPPT.
- W przypadku awarii należy natychmiast wyłączyć POWER2GO.
- W przypadku pożaru należy użyć suchej gaśnicy chemicznej.
- Nikt poza wykwalifikowanym personelem nie może podejmować prób modyfikacji lub wymiany wewnętrznych części tego urządzenia. Jeśli akumulator nie będzie używany przez dłuższy czas, to w przypadku nadmiernego rozładowania, nastąpi nieodwracalne uszkodzenie ogniwa akumulatora i skrócenie czasu życia produktu.

### KONSERWACJA I PRZECHOWYWANIE

Prosimy przestrzegać tych instrukcji!

- Jeśli POWER2GO nie jest używany przez ponad trzy miesiące, należy naładować go do poziomu SOC 40%-60%, aby utrzymać go w jak najlepszym stanie.
- Przed przechowywaniem urządzenia należy wyłączyć zasilanie i odłączyć wszystkie połączenia elektryczne z urządzenia.
- POWER2GO należy przechowywać w chłodnym, suchym miejscu o temperaturze w zakresie 20°C–30°C.
- Ze względów bezpieczeństwa nie należy przechowywać urządzenia w temperaturze poniżej -10°C lub powyżej 45°C przez dłuższy czas.
- Jeśli poziom naładowania akumulatora po użyciu wynosi mniej niż 10%, przed przechowywaniem należy naładować go do 80%. Jeśli akumulator nie będzie używany przez dłuższy czas w przypadku poważnego braku zasilania, spowoduje to nieodwracalne

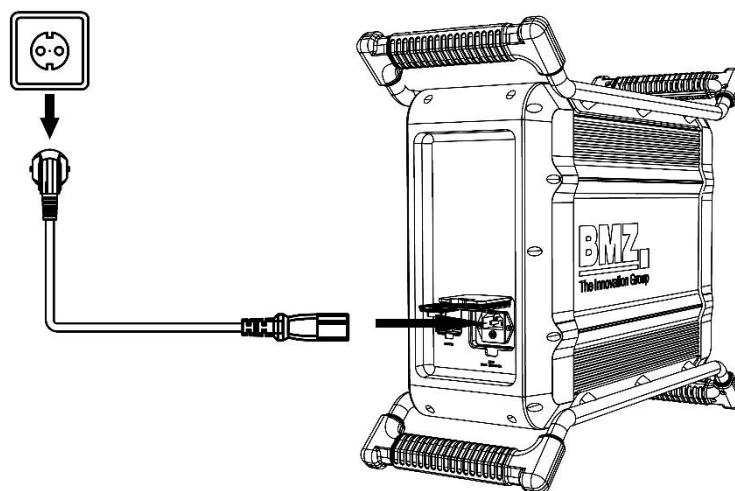
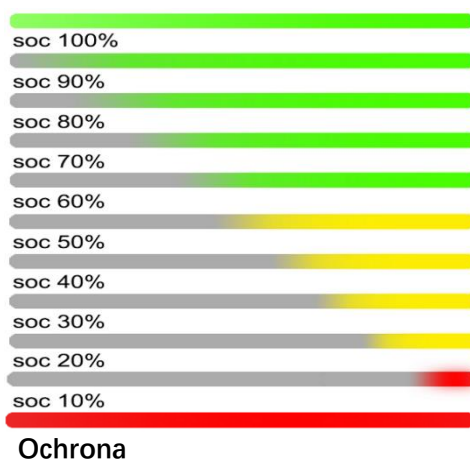
uszkodzenie ogniwa akumulatora i skróci żywotność produktu.

- Zaleca się wykonywanie cyklu ładowania i rozładowania co 6 miesięcy, aby utrzymać akumulator w dobrym stanie.
- Jeśli SOC spadnie do 0 (podczas pracy lub uruchamiania), należy wykonać następujące kroki, aby bezpiecznie naładować i uruchomić urządzenie:
  - 10) Natychmiast wyłączyć urządzenie.
  - 11) Naładować w ciągu 24 godzin.
  - 12) Przed ponownym użyciem (rozładowaniem) zostawić na co najmniej godzinę.

## 7. Instrukcje obsługi

### 7.1 Ładowanie AC

W przypadku włączonego lub wyłączzonego zasilania można ładować POWER2GO poprzez prąd przemienny, bezpośrednio podłączając kabel ładowania AC, obwód wewnętrzny rozpocznie ładowanie po około 3 sekundach automatycznego testu, a dioda LED automatycznie zaświeci się, aby wyświetlić stan ładowania za pomocą wskaźnika paska świetlnego.



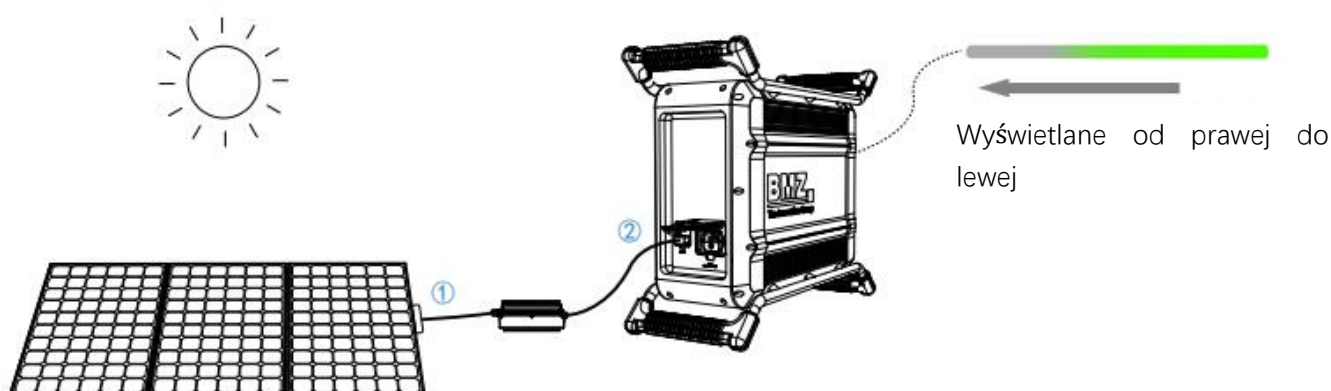
Uwaga:

- Przed podłączeniem urządzenia do sieci elektrycznej należy najpierw podłączyć gniazdo ładowania do portu ładowania POWER2GO.
- Gdy wskaźnik SOC pokaże 100%, proces ładowania zostanie zakończony. Zaleca się wydłużenie czasu ładowania podczas pierwszego procesu ładowania. Umożliwi to przeprowadzenie autokalibracji urządzenia.
- Moc ładowania AC stopniowo wzrasta co minutę i ustabilizuje się po osiągnięciu maksymalnej mocy ładowania.

## 7.2 Ładowanie PV

POWER2GO jest wyposażony w funkcję ładowania PV, należy pamiętać, że musi być używany z adapterem MPPT BMZ.

W przypadku włączonego lub wyłączzonego zasilania można ładować POWER2GO za pomocą PV, bezpośrednio podłączając kabel ładowania DC (XT90), obwód wewnętrzny rozpocznie ładowanie po około 3 sekundach, aby wykonać automatyczny test. Wskaźnik LED zaświeci się automatycznie, aby pokazać światło biegnące w kierunku od prawej do lewej, co służy jako odniesienie do ładowania.



Uwaga:

- Energia ładowania PV zależy od nasłonecznienia, zaleca się korzystanie z ładowania PV, gdy nasłonecznienie jest wystarczające.
- Maksymalna moc ładowania PV wynosi 500 W, a rzeczywista moc może być niższa niż moc maksymalna ze względu na kąt załamania światła słonecznego. Należy wziąć pod uwagę, że wspomniana moc zależy od panelu słonecznego, z którego użytkownik skorzysta. Początkowo oferujemy odpowiednio 200 W i 400 W.
- Należy upewnić się, że panel słoneczny spełnia następujące wymagania: Napięcie obwodu otwartego: 15 VDC ~ 60 VDC  
Moc wejściowa: Maks. 500 W

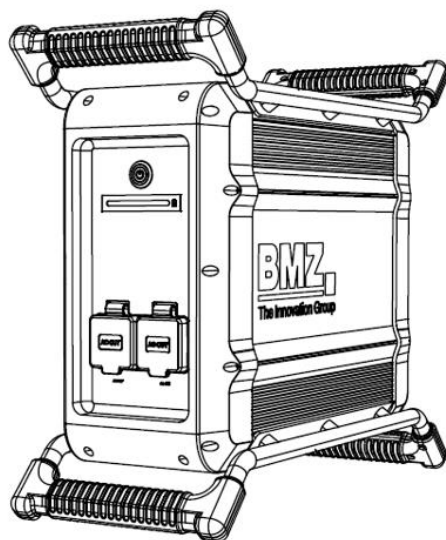
### 7.3 Wyjście AC

POWER2GO \_WORK jest wyposażony w 2 port wyjściowy AC, z maksymalną łączną mocą wyjściową AC 2500 W i mocą szczytową 4400 W.

Podczas korzystania z wyjścia AC do zasilania urządzenia należy nacisnąć i przytrzymać przełącznik przez około 1 sekundę, pasek wskaźnika LED zaświeci się, w tym momencie produkt może zasilac dowolne urządzenie o mocy znamionowej 2500 W i niższej.

Uwaga:

- Czas rozładowania POWER2GO zależy od różnych czynników, takich jak temperatura otoczenia, szybkość rozładowania, pojemność akumulatora, charakterystyka obciążenia itp.
- Gdy wskaźnik na pasku LED zmieni kolor na czerwony (światło zwykle po prawej stronie), oznacza to, że poziom naładowania akumulatora POWER2GO wynosi 10% lub mniej. W tym czasie, jeśli używane będzie urządzenie o dużej mocy, system może aktywować zabezpieczenie. Zaleca się naładowanie POWER2GO na czas.
- Podczas pracy, wewnętrzna i zewnętrzna temperatura POWER2GO jest stale monitorowana, a moc zostanie ograniczona do 2000 W, gdy temperatura powierzchni osiągnie 50°C, a wyjście zostanie odcięte, gdy temperatura powierzchni osiągnie 60°C. Przy temperaturze 25°C i natężeniu 8,7 A, POWER2GO może zostać całkowicie rozładowany (100% -> 5%) bez wyzwalania wyłączenia.
- W przypadku ciągłej pracy z maksymalnym obciążeniem, urządzenia działające ze stałą mocą 2500 W mogą być obsługiwane przez POWER2GO przez ponad 35 minut, ponieważ zabezpieczenie odetnie działanie, gdy temperatura powierzchni osiągnie 60°C.



Światło zmniejsza się od lewej do prawej, gdy pojemność się rozładowuje.

### 7.4 Ostrzeżenie

- Aby uniknąć porażenia prądem, nie należy wkładać palców ani żadnych metalowych przewodów do gniazda AC.
- Przed podłączeniem urządzenia zasilającego AC upewnić się, że napięcie i moc urządzenia są zgodne z napięciem wyjściowym i częstotliwością POWER2GO.

- Zabrania się podłączania wyjścia AC POWER2GO z jego własnym wejściem AC, w przeciwnym razie POWER2GO ulegnie uszkodzeniu.
- Bez zasilania AC i DC przez 30 minut, POWER2GO wyłączy się automatycznie i przejdzie w tryb niskiego poboru mocy. Należy ponownie ręcznie włączyć urządzenie.
- POWER2GO obsługuje jednoczesne ładowanie i rozładowywanie, tj. funkcję UPS. Gdy moc wyjściowa jest większa niż moc wejściowa, obciążenie zostanie pokryte w pierwszej kolejności.
- Gdy główny wyłącznik zasilania jest wyłączony, diody AC, DC i LED są wyłączane w tym samym czasie.

## 8. ROZWIĄZYWANIE PROBLEMÓW

Diody LED		Możliwe przyczyny	Rozwiązanie
Stan	Warunku robocze		
Wyświetlanie czerwonej diody LED	Ładowanie	Wykryto problem. (zabezpieczenie przed zbyt wysokim napięciem)	Usunąć wszystkie połączenia ładowania i rozładowania i przywrócić po ponownym uruchomieniu urządzenia.
Wyświetlanie czerwonej diody LED	Ładowanie	Wykryto problem. (Zabezpieczenie przed przegrzaniem podczas ładowania)	Automatyczne przywracanie działania, gdy akumulator ostygnie
Wyświetlanie czerwonej diody LED	Rozładowanie	Wykryto problem. (Zabezpieczenie przed przeciążeniem)	Usunąć przeciążone urządzenie i ponownie uruchomić sprzęt, aby przywrócić działanie POWER2GO. (Używać urządzeń, które mieszczą się w zakresie znamionowym POWER2GO)
Wyświetlanie czerwonej diody LED	Rozładowanie	Wykryto problem. (Niski SOC)	Naładować POWER2GO lub zmniejszyć obciążenie
Wyświetlanie czerwonej diody LED	Rozładowanie	Wykryto problem. (Zabezpieczenie przed niskim napięciem)	Naładować P2GO

## 9. BEZPIECZNE KORZYSTANIE Z POWER2GO

- 9.1 POWER2GO nie można otwierać pod żadnym pozorem, a naprawy mogą być wykonywane wyłącznie przez profesjonalnie przeszkolony personel.
- 9.2 Nie wolno modyfikować elementów sterujących POWER2GO, wtyczek i gniazd itp., a ich wymiana powinna być przeprowadzana wyłącznie przez autoryzowany personel.
- 9.3 Zabrania się dotykania styków elektrycznych POWER2GO palcami, narzędziami lub innymi przedmiotami.
- 9.4 POWER2GO nie można używać dla innych parametrów roboczych.
- 9.5 Obudowy POWER2GO nie można zanurzać w wodzie lub błocie.
- 9.6 Jeśli akumulator zapali się, do ugaszenia pożaru najlepiej użyć piasku. Jeśli to możliwe, należy całkowicie wrzucić POWER2GO do dowolnego pojemnika z wodą. Należy wezwać straż pożarną i poinformować ją, że w produkcie znajduje się akumulator litowo-jonowy.
- 9.7 W przypadku uszkodzenia lub nieprawidłowego użytkowania POWER2GO może wydobywać się para. Para może podrażnić drogi oddechowe – w takim przypadku należy zapewnić dopływ świeżego powietrza oraz udać się w dobrze wentylowane miejsce. Jeśli wystąpią jakiegokolwiek niepożądane reakcje, należy natychmiast zasięgnąć porady lekarza.
- 9.8 POWER2GO nie można przechowywać w temperaturze wyższej niż 60°C i należy trzymać go z dala od źródeł ciepła (np. grzejników, grzałek, ognia).
- 9.9 POWER2GO nie można przechowywać ani używać w miejscach, w których istnieje ryzyko wybuchu i nie należy go przenosić za pomocą dźwigów lub innych urządzeń podnoszących, aby uniknąć niepożądanych incydentów.
- 9.10 Aby zapobiec obrażeniom spowodowanym przewróceniem lub upadkiem POWER2GO, należy zapewnić jego stabilne ustawienie w przypadku podłączonego urządzenia, a urządzenie podłączone do POWER2GO musi mieć wystarczającą długość kabla.
- 9.11 POWER2GO można ładować wyłącznie za pomocą dołączonego kabla ładowania. Ewentualnie można użyć kabli o tej samej konstrukcji, a w razie jakichkolwiek wątpliwości w tym zakresie należy skonsultować się ze specjalistą ds. elektryki lub firmą BMZ. Zabrania się używania przewodu zasilającego, jeśli jest on niesprawny lub izolacja jest uszkodzona, a także należy chronić przewód zasilający przed zgnieceniem, zaplątaniem lub uszkodzeniem z innych przyczyn. Szczególną uwagę należy zwrócić na fakt, że wtyczka zasilania i kabel ładowania POWER2GO są oferowane bezpośrednio przez BMZ.
- 9.12 Przed włączeniem POWER2GO należy upewnić się, że podłączone obciążenie jest wyłączone.
- 9.13 POWER2GO nie można używać do zasilania wyrobów medycznych podtrzymujących życie.
- 9.14 POWER2GO nie można czyścić bezpośrednio strumieniem wody, w szczególności nie wolno używać myjek ciśnieniowych.
- 9.15 Należy unikać kontaktu POWER2GO z chemikaliami, paliwami i smarami.

9.16 Działanie POWER2GO powinno być zawsze monitorowane przez doświadczonych użytkowników, w szczególności nie zaleca się używania POWER2GO przez osoby niepełnoletnie lub z niepełnosprawnościami.

## 10. Najczęściej zadawane pytania

- P1: Jak długo trwa pełne naładowanie?  
O: Pełne naładowanie trwa łącznie 3 godziny.
- P2: Dlaczego POWER2GO nie można naładować w pełni?  
O: Należy przeprowadzić proces kalibracji poprzez pełne naładowanie i rozładowanie urządzenia.
- P3: Dlaczego POWER2GO wyłącza się automatycznie?  
O: 1) Akumulator wymaga naładowania.  
2) Jeśli przełączniki zasilania AC i DC są włączone, ale nie ma wejścia i wyjścia przez 30 minut, POWER2GO wyłączy się automatycznie i przejdzie w tryb niskiego poboru mocy.
- P4: Czy mogę użyć panelu słonecznego innej firmy do ładowania mojego POWER2GO?  
O: Tak, jeśli specyfikacje panelu słonecznego mieszczą się w następujących zakresach:
  - 1) Napięcie obwodu otwartego: 15 VDC – 60 VDC
  - 2) Moc wyjściowa: Maks. 500 W
  - 3) Używanie tego samego złącza (MC4)
  - 4) Brak mieszania różnych rodzajów paneli słonecznych
- P5: Jak długo trwa przełączenie na UPS?  
O: 15 ms
- P6: Skąd mam wiedzieć, czy moje urządzenie będzie dobrze współpracować z tym produktem?  
O: Należy ocenić całkowitą moc urządzenia. Jeśli nie przekracza 2500 W, POWER2GO może dobrze zasilać urządzenie.  
Uwaga: Niektóre urządzenia z wbudowanymi silnikami/kompresorami mogą uruchamiać się z mocą 2–4 razy większą niż moc znamionowa, co może łatwo przeciążyć POWER2GO.
- P7: Jak czyścić POWER2GO?  
O: Do wycierania POWER2GO należy używać suchej lub częściowo mokrej miękkiej, czystej szmatki lub ręcznika papierowego.
- P8: Czy rzeczywista pojemność POWER2GO jest zgodna z nominalną pojemnością podaną w instrukcji obsługi?  
O: Docelowa pojemność podana w instrukcji obsługi jest nominalną pojemnością akumulatora POWER2GO, a POWER2GO ma pewną stratę wydajności podczas procesu ładowania i rozładowywania, więc rzeczywista pojemność rozładowania POWER2GO jest niższa niż nominalna pojemność podana w instrukcji obsługi.

## 11. KONTAKT

- BMZ POLAND Sp. z o.o.  
[bmzpolandsupport@bmz-group.com](mailto:bmzpolandsupport@bmz-group.com)  
Alberta Einsteina 9 44-109 Gliwice

## ÍNDICE

<b>1. DESCRIÇÃO DO PRODUTO</b> .....	2
<b>2. ABREVIACÕES</b> .....	2
<b>3. DADOS TÉCNICOS</b> .....	3
3.1 Parâmetros básicos .....	3
3.2 Condições de operação Descarregamento .....	3
3.3 Condições de operação Carregamento .....	3
3.4 Conector .....	3
<b>4. CONTEÚDO DA EMBALAGEM</b> .....	4
<b>5. COLOCAÇÃO PRÉVIA EM SERVIÇO</b> .....	5
<b>6. INSTRUÇÕES DE SEGURANÇA</b> .....	6
<b>GERAIS</b> .....	6
<b>MANUTENÇÃO E ARMAZENAMENTO</b> .....	6
<b>7. Instruções de operação</b> .....	7
7.1 Carregamento CA.....	7
7.2 Carregamento PV .....	8
7.3 Saída CA .....	9
7.4 Aviso .....	9
<b>8. SOLUÇÃO DE PROBLEMAS</b> .....	10
<b>9. USO SEGURO DO POWER2GO</b> .....	11
<b>10. Perguntas frequentes</b> .....	12
<b>11. CONTACTO</b> .....	12

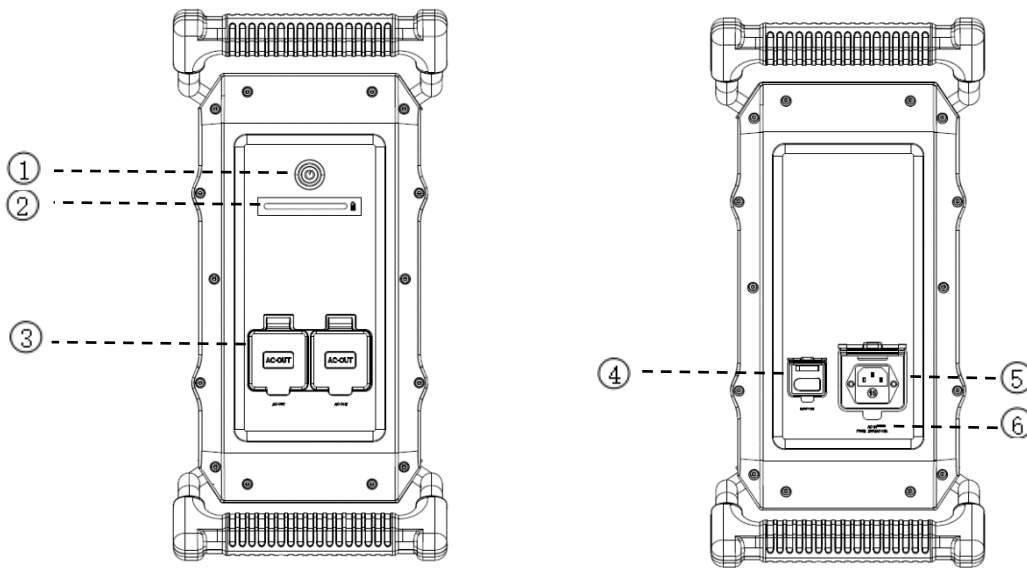


## 1. DESCRIÇÃO DO PRODUTO

O POWER2GO é um sistema portátil de armazenamento de energia fora da rede com uma bateria de íons de lítio de ciclo longo integrada e um invólucro de liga de alumínio de alta resistência.

O POWER2GO vem com duas opções de alimentação – através de um cabo de carregamento correspondente ou adaptador MPPT (acessórios opcionais). Saída CA de 230 V para alimentar qualquer equipamento elétrico com uma potência total de até 2500 W.

O POWER2GO pode ser usado para alimentar qualquer dispositivo eletrônico, como ferramentas elétricas, equipamentos de atividades ao ar livre, direção autônoma, alimentação de emergência na casa, iluminação, etc.



N.º	INSTRUÇÕES
①	INTERRUPTOR DE ALIMENTAÇÃO
②	INDICADOR SOC
③	PORTA DE SAÍDA CA
④	PORTA DE CARREGAMENTO PV
⑤	PORTA DE CARREGAMENTO CA
⑥	FUSÍVEL

## 2. ABREVIações

- M P P T: Rastreamento de pontos de potência máxima
- S O C: Estado de carregamento
- U P S: Fonte de alimentação ininterrupta
- C A: Corrente alternada
- C C: Corrente contínua
- P V: Fotovoltaica
- D O D: Profundidade de descarga

### 3. DADOS TÉCNICOS

#### 3.1 Parâmetros básicos

Capacidade	2500 Wh
Peso	≈25 kg
Dimensões	531 x 233 x 467 mm incl. alça
Classe IP	IP65 – todas as proteções estão fechadas
Ruído	<30 dB
Certificados	UN38.3, CE
Armazenamento	> 3 meses, aprox. 50 % SOC

#### 3.2 Condições de operação Descarregamento

Tensão nominal de saída CA	230 VCA / 50 Hz
Potência CA nominal	2500 W
Potência de sobrecarga 1	3600 W, bloqueio 30S
Temperatura de operação admissível	-10 °C a 60 °C

#### 3.3 Condições de operação Carregamento

Tensão de entrada CA	100 V–250 V, 50 Hz/60 Hz
Potência CA de entrada	1000 W
Tempo de carregamento CA	<4 horas a 100 %
Entrada solar	Máx. 500 W, possibilidade de cooperação com adaptadores
Temperatura de carregamento admissível	0 °C~45 °C

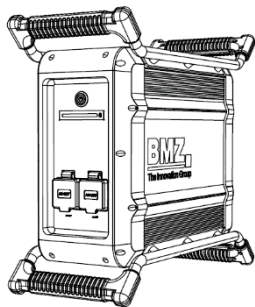
#### 3.4 Conector

Saída CA	Em conformidade com os padrões de distribuição (2x)
Carregamento CA	Conector C14
Carregamento PV	Amass XT90
Fusível de entrada	T15A L 250 V

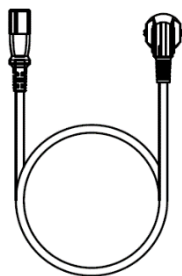
## 4. CONTEÚDO DA EMBALAGEM

Após a receção do produto, deve ser verificada a sua integralidade; deve conter os seguintes elementos:

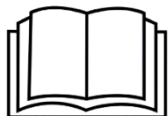
- POWER2GO WORK



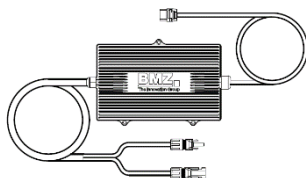
- Cabo de carregamento CA



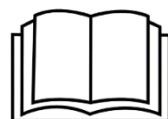
- Manual do utilizador POWER2GO \_WORK



- Adaptador MPPT



- Manual do utilizador do adaptador MPPT



Obs.:

O adaptador MPPT é um acessório opcional.

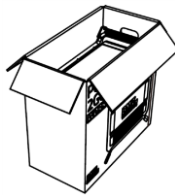
## 5. COLOCAÇÃO PRÉVIA EM SERVIÇO

Antes de usar o POWER2GO pela primeira vez, proceda da seguinte forma:

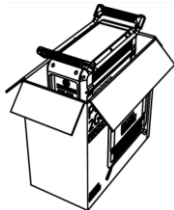
- Verifique a embalagem quanto a danos externos.



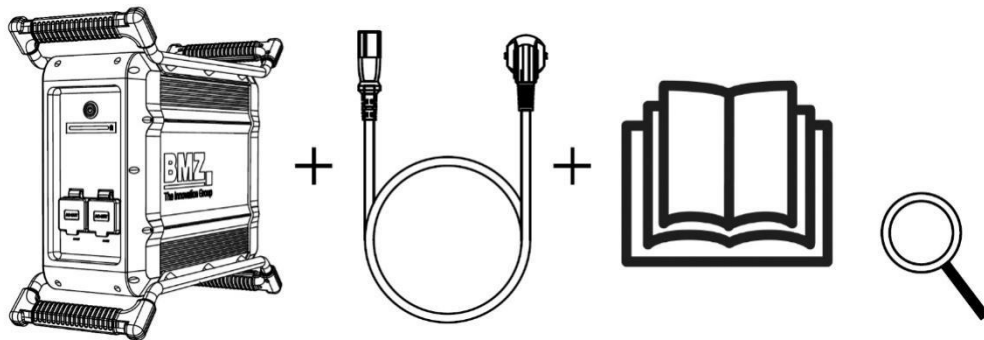
- Abra a parte superior da embalagem.



- Remova o POWER2GO com separadores.



- Verifique se o dispositivo está completo ou danificado.



- Conecte o POWER2GO à rede elétrica com o cabo de carregamento, o LED acenderá automaticamente. Para mais detalhes, consulte a secção 7.1.

## 6. INSTRUÇÕES DE SEGURANÇA

### GERAIS

Por favor, siga estas instruções!

O desenvolvimento de produtos BMZ é focado em segurança e fiabilidade. Consulte este manual para obter informações importantes sobre a segurança do dispositivo. Este manual destina-se a ajudar o utilizador a utilizar o dispositivo de forma mais conveniente e eficiente. A eventual utilização, configuração e manutenção do dispositivo em condições diferentes das recomendadas neste manual pode causar avarias ao mesmo e também perigos a sua integridade física e de outros. Sempre opere ou armazene o dispositivo de acordo com a faixa de temperatura especificada.

- Não exponha o dispositivo a fogo, líquidos, sujidade ou outros contaminantes, pois isso pode causar incêndio ou choque elétrico.
- Não coloque o dispositivo em superfícies instáveis ou inclinadas.
- Certifique-se de que o local onde o dispositivo é usado seja bem ventilado e espaçoso.
- Mantenha o POWER2GO longe de crianças e animais de estimação.
- Não ignore os sinais de aviso nas peças ou produtos.
- Não desmonte, corte, esmague, perfure ou danifique o dispositivo de forma alguma.
- Não insira objetos estranhos na porta de carregamento, na porta de descarga ou em qualquer outra porta.
- Use o cabo de carregamento aprovado e acessórios MPPT.
- Em caso de avaria, desligue o POWER2GO imediatamente.
- Em caso de incêndio, use um extintor de incêndio químico seco.
- Ninguém além de pessoal qualificado pode tentar modificar ou substituir as partes internas deste dispositivo. Se necessário, o dispositivo deve ser devolvido a um centro de serviço autorizado, pois a remontagem inadequada pode causar risco de incêndio ou choque elétrico.

### MANUTENÇÃO E ARMAZENAMENTO

Por favor, siga estas instruções!

- Se o POWER2GO não for usado por mais de três meses, deve ser carregado ao nível SOC de 40 % a 60 % para mantê-lo na melhor condição possível.
- Antes de armazenar o dispositivo, desligue a alimentação e desconecte todas as conexões elétricas do dispositivo.
- O POWER2GO deve ser armazenado em local fresco e seco com uma temperatura na faixa de 20 °C a 30 °C.
- Por razões de segurança, não guarde o dispositivo a uma temperatura inferior a -10 °C ou superior a 45 °C durante muito tempo.
- Se o nível de carga da bateria após o uso for inferior a 10 %, carregue-o até 80 % antes do armazenamento. Se a bateria não for usada por muito tempo e o nível de carga estiver num nível muito reduzido, isso causará danos irreparáveis à célula da bateria e encurtará a vida útil do produto.
- Recomenda-se realizar ciclos a cada 6 meses para manter a bateria em boas condições.
- Se o SOC cair para 0 (durante a operação ou colocação em serviço), siga estas etapas para

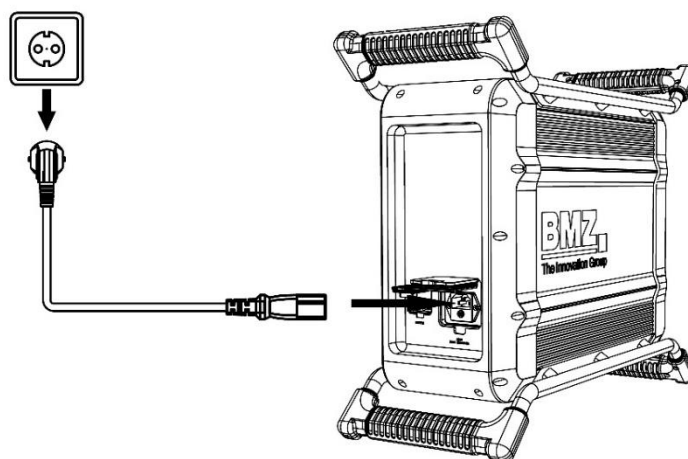
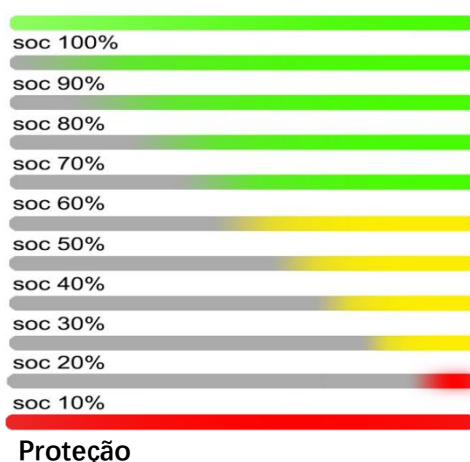
carregar e iniciar o dispositivo com segurança:

- 13) Desligue o dispositivo imediatamente.
- 14) Recarregue dentro de 24 horas.
- 15) Deixe por pelo menos uma hora antes de carregar.

## 7. Instruções de operação

### 7.1 Carregamento CA

Com a alimentação ligada ou desligada, pode carregar o POWER2GO através da corrente alternada, conectando diretamente o cabo de carregamento CA, o circuito interno começará a carregar após cerca de 3 segundos de teste automático e o LED acenderá automaticamente para exibir o estado de carregamento através do indicador da barra de luz.



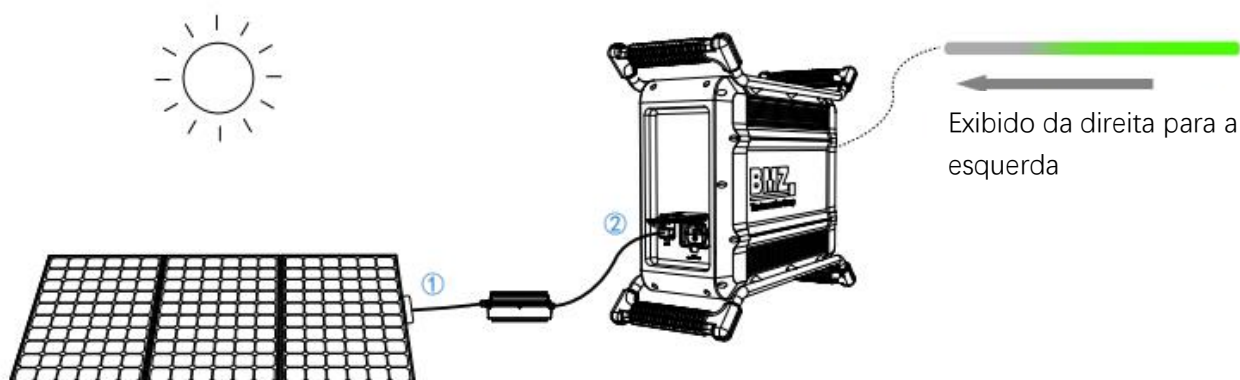
Obs.:

- Antes de ligar o dispositivo à rede elétrica, deve primeiro ligar a tomada de carregamento à porta de carregamento do POWER2GO.
- Quando o indicador SOC mostrar 100 %, o processo de carregamento será concluído. Recomenda-se prolongar o tempo de carregamento durante o primeiro processo de carregamento. Isso permitirá que o dispositivo seja auto-calibrado.
- A potência de carregamento CA aumenta gradualmente a cada minuto e estabiliza quando a potência máxima de carregamento é atingida.

## 7.2 Carregamento PV

O POWER2GO está equipado com a função de carregamento PV, observe que ele deve ser usado com o adaptador MPPT da BMZ.

Com a alimentação ligada ou desligada, pode carregar o POWER2GO com PV ligando diretamente o cabo de carregamento CC (XT90), o circuito interno começará a carregar após cerca de 3 segundos para realizar o teste automático. O indicador LED acenderá automaticamente para mostrar a luz da direita para a esquerda, que serve como referência para o carregamento.



Obs.:

- A energia de carregamento PV depende da luz do sol, recomenda-se usar o carregamento PV quando a luz do sol for suficiente.
- A potência máxima de carregamento PV é de 500 W e a potência real pode ser inferior à potência máxima devido ao ângulo de refração da luz solar. Deve-se ter em conta que esta energia depende do painel solar que o utilizador irá utilizar. Inicialmente, oferecemos 200 W e 400 W, respetivamente.
- Certifique-se de que o painel solar atenda aos seguintes requisitos: Tensão de circuito aberto: 15 VCC ~ 60 VCC  
Potência de entrada: Máx. 500 W

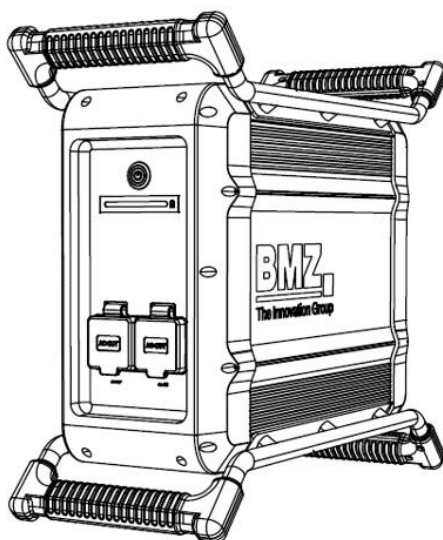
### 7.3 Saída CA

O POWER2GO\_WORK está equipado com 2 portas de saída CA, com uma potência de saída CA total máxima de 2500 W e uma potência de pico de 4400 W.

Ao usar a saída CA para alimentar o dispositivo, pressione e segure o interruptor por cerca de 1 segundo, a barra indicadora LED acenderá, neste ponto, o produto pode alimentar qualquer dispositivo com uma potência nominal de 2500 W e inferior.

Obs.:

- O tempo de descarga do POWER2GO depende de vários fatores, como temperatura ambiente, taxa de descarga, capacidade da bateria, características de carga, etc.
- Quando o indicador na barra LED fica vermelho (luz geralmente à direita), isso significa que o nível de carga da bateria do POWER2GO é de 10 % ou menos. Durante este tempo, se for utilizado um dispositivo de alta potência, o sistema pode ativar a proteção. Recomenda-se carregar o POWER2GO a tempo.
- Durante a operação, a temperatura interna e externa do POWER2GO é constantemente monitorada, e a potência será limitada a 2000 W quando a temperatura da superfície atingir 50 °C, e a saída será cortada quando a temperatura da superfície atingir 60 °C. A 25 °C e 8,7 A, o POWER2GO pode ser completamente descarregado (100 % -> 5 %) sem ativar o desligamento.
- No caso de operação contínua com carga máxima, os dispositivos que operam a uma potência constante de 2500 W podem ser operados pelo POWER2GO por mais de 35 minutos, porque a proteção interromperá a operação quando a temperatura da superfície atingir 60 °C.



A luz diminui da esquerda para a direita à medida que a capacidade descarrega.

### 7.4 Aviso

- Para evitar choques elétricos, não insira os dedos ou quaisquer fios de metal na tomada CA.
- Antes de conectar o dispositivo de alimentação CA, certifique-se de que a tensão e a potência do dispositivo sejam compatíveis com a tensão e a frequência de saída do POWER2GO.



- É proibido conectar a saída CA do POWER2GO com a sua própria entrada CA, caso contrário, o POWER2GO será danificado.
- Sem alimentação CA e CC por 30 minutos, o POWER2GO desligará automaticamente e entrará no modo de baixa energia. Ligue o dispositivo novamente manualmente.
- O POWER2GO suporta carregamento e descarregamento simultâneos, ou seja, a função UPS. Quando a potência de saída for maior que a potência de entrada, a carga será suportada primeiro.
- Quando o interruptor principal está desligado, os LEDs CA, CC e LED são desligados ao mesmo tempo.

## 8. SOLUÇÃO DE PROBLEMAS

LEDs		Possíveis causas	Solução
Estado	Condições de trabalho		
<b>Apresentação do LED vermelho</b>	Carregamento	Problema detetado. (Proteção contra sobretensão)	Remova todas as conexões de carregamento e descarregamento e restaure após reiniciar o dispositivo.
<b>Apresentação do LED vermelho</b>	Carregamento	Problema detetado. (Proteção contra superaquecimento durante o carregamento)	Recuperação automática quando a bateria tiver arrefecido
<b>Apresentação do LED vermelho</b>	Descarregamento	Problema detetado. (Proteção contra sobrecarga)	Remova o dispositivo sobrecarregado e reinicie o equipamento para restaurar a operação do POWER2GO. (Use dispositivos que se enquadrem na faixa nominal de operação do POWER2GO)
<b>Apresentação do LED vermelho</b>	Descarregamento	Problema detetado. (SOC baixo)	Carregue o POWER2GO ou reduza a carga
<b>Apresentação do LED vermelho</b>	Descarregamento	Problema detetado. (Proteção de baixa tensão)	Carregue o P2GO

## 9. USO SEGURO DO POWER2GO

- 9.1 O POWER2GO não deve ser aberto em nenhuma circunstância e as reparações só devem ser realizadas por pessoal formado profissionalmente.
- 9.2 Não modifique os controlos, fichas e tomadas do POWER2GO, etc., e a eventual troca somente pode ser realizada por pessoal autorizado.
- 9.3 É proibido tocar nos contactos elétricos do POWER2GO com os dedos, ferramentas ou outros objetos.
- 9.4 O POWER2GO não pode ser usado com outros bancos de trabalho.
- 9.5 O invólucro do POWER2GO não pode ser submerso em água ou lama.
- 9.6 Se a fogo incendiar a melhor maneira de combater e extinguir o fogo é com areia. Se possível, descarte completamente o POWER2GO em qualquer recipiente com água. Ligue para a brigada de incêndio e informe que há uma bateria de íons de lítio no produto.
- 9.7 Em caso de danos ou uso indevido do POWER2GO, pode haver emissão de vapores. O vapor pode irritar o trato respiratório – neste caso, forneça ar fresco e vá para um local bem ventilado. Se ocorrer alguma reação adversa, consulte imediatamente um médico.
- 9.8 O POWER2GO não pode ser armazenado acima de 60 °C e deve ser mantido longe de fontes de calor (por exemplo, radiadores, aquecedores, fogo).
- 9.9 O POWER2GO não deve ser armazenado ou usado em locais onde haja risco de explosão e não deve ser movido com guindastes ou outros dispositivos de elevação para evitar incidentes indesejados.
- 9.10 Para evitar ferimentos causados pelo capotamento ou queda do POWER2GO, uma posição estável deve ser assegurada no caso de uma carga conectada, e a carga conectada ao POWER2GO deve ter um cabo de comprimento suficiente.
- 9.11 O POWER2GO só pode ser carregado com o cabo de carregamento incluído. Alternativamente, cabos da mesma estrutura podem ser usados e, em caso de dúvida, consulte um especialista em eletricidade ou a BMZ. É proibido usar o cabo de alimentação se estiver com defeito ou o isolamento estiver danificado, e também proteja o cabo de alimentação de ser esmagado, emaranhado ou danificado por outros motivos. Atenção especial deve ser dada ao fato de que a ficha de alimentação do POWER2GO e o cabo de carregamento podem ser diretamente fornecidos pela BMZ.
- 9.12 Antes de ligar o POWER2GO, certifique-se de que a carga conectada esteja desligada.
- 9.13 O POWER2GO não pode ser usado para alimentar dispositivos médicos que sustentam a vida.
- 9.14 O POWER2GO não pode ser limpo diretamente com um jato de água, em particular as lavadoras de pressão não devem ser usadas.
- 9.15 Evite o contacto do POWER2GO com produtos químicos, combustíveis e lubrificantes.
- 9.16 O funcionamento do POWER2GO deve ser sempre monitorizado por utilizadores experientes, em particular, o uso do POWER2GO por menores ou pessoas com deficiência não é recomendado.

## 10. Perguntas frequentes

- P1: Quanto tempo leva o carregamento total?  
R: Um carregamento completo leva um total de 3 horas.
- P2: Porque o POWER2GO não pode ser totalmente carregado?  
R: O processo de calibração deve ser realizado carregando e descarregando totalmente o dispositivo.
- P3: Porque o POWER2GO desliga automaticamente?  
R: 1) A bateria precisa ser carregada.  
2) Se os interruptores de alimentação CA e CC estiverem ligados, mas não houver entrada e saída por 30 minutos, o POWER2GO será desligado automaticamente e entrará no modo de baixa energia.
- P4: Posso usar um painel solar de terceiros para carregar o meu POWER2GO?  
R: Sim, se as especificações do painel solar estiverem dentro das seguintes faixas:
  - 1) Tensão de circuito aberto: 15 VCC – 60 VCC
  - 2) Potência de saída: Máx. 500 W
  - 3) Uso do mesmo conector (MC4)
  - 4) Sem misturar diferentes tipos de painéis solares
- P5: Quanto tempo leva para mudar para o UPS?  
R: 15 ms
- P6: Como sei se o meu dispositivo funcionará bem com este produto?  
R: Avalie a potência total do dispositivo. Se não exceder 2500 W, o POWER2GO pode alimentar bem o dispositivo.  
Obs.: Alguns dispositivos com motores/compressores embutidos podem funcionar com a potência 2 a 4 vezes maior da potência nominal, o que pode facilmente sobrecarregar o POWER2GO.
- P7: Como limpar o POWER2GO?  
R: Use um pano seco ou húmido, um pano limpo ou uma toalha de papel para limpar o POWER2GO.
- P8: A capacidade real do POWER2GO corresponde à capacidade nominal indicada no manual do utilizador?  
R: A capacidade alvo fornecida no manual do utilizador é a capacidade nominal da bateria do POWER2GO, e o POWER2GO tem alguma perda de desempenho durante o processo de carregamento e descarregamento, portanto, a capacidade de descarregamento real do POWER2GO é menor do que a capacidade nominal fornecida no manual do utilizador.

## 11. CONTACTO

BMZ POLAND Sp. z o.o.

[bmzpolandsupport@bmz-group.com](mailto:bmzpolandsupport@bmz-group.com)

Alberta Einsteina 9 44-109 Gliwice Poland





